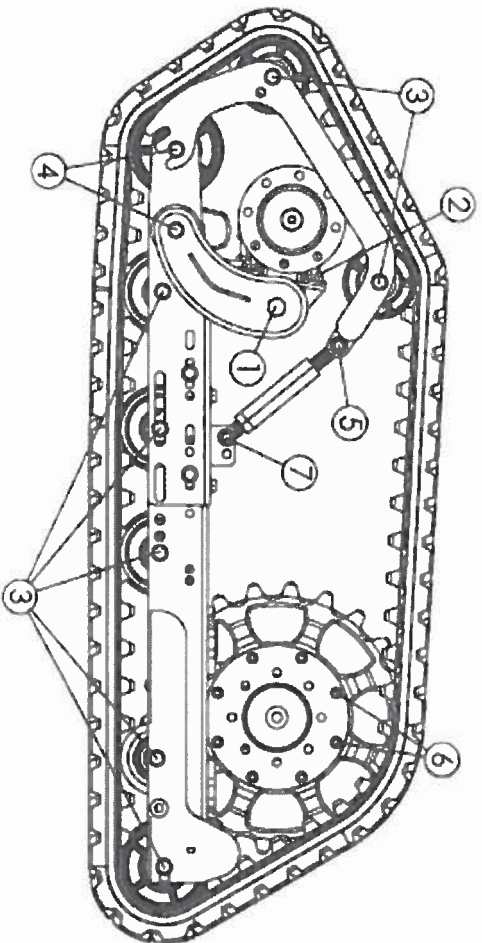
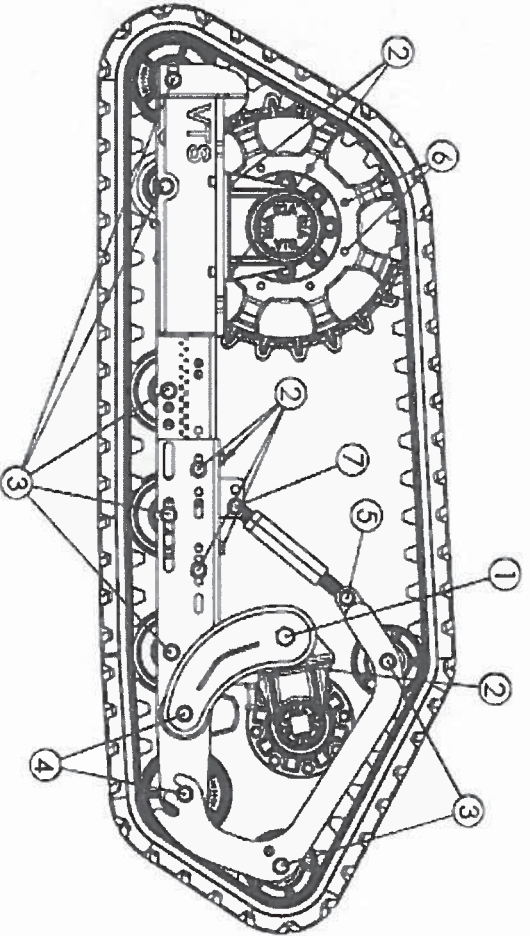
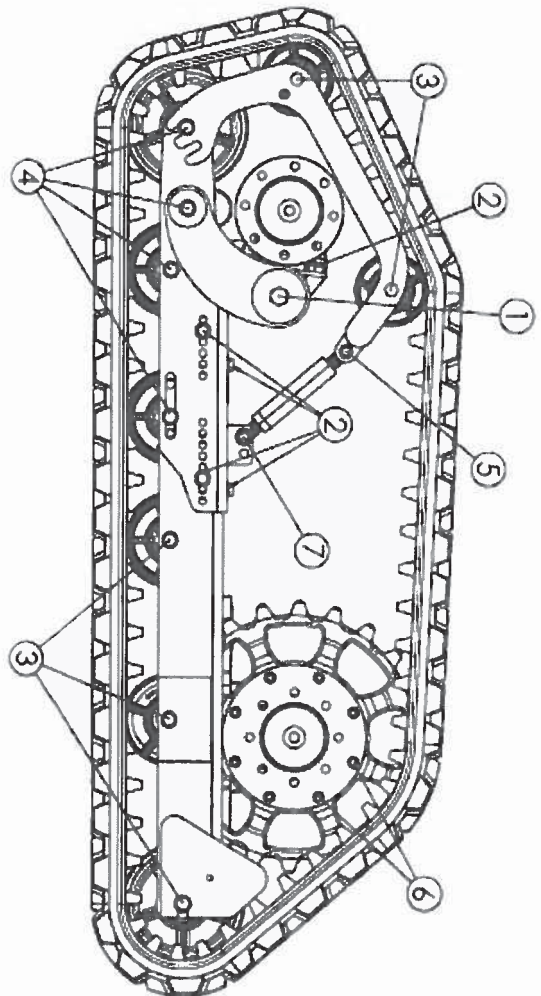
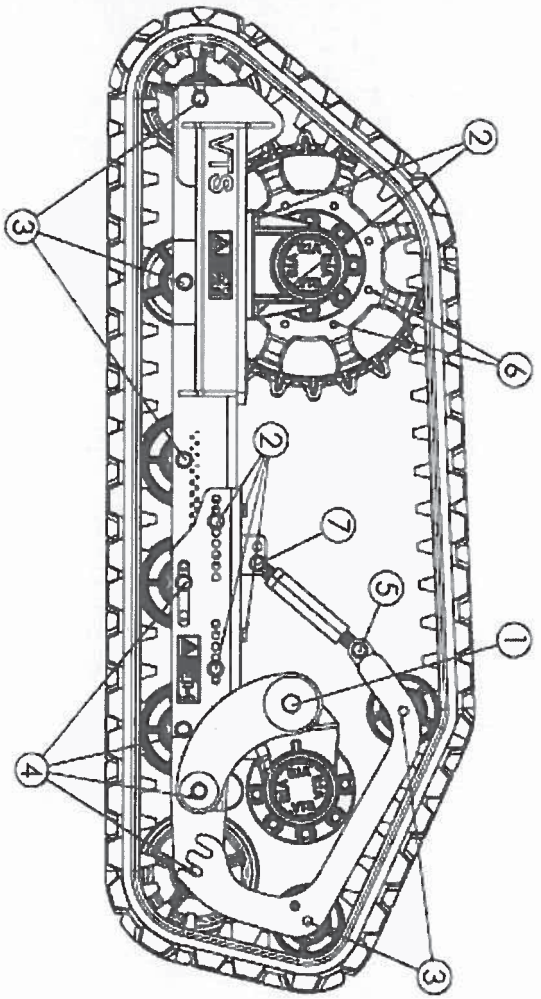


50+ VTS Torque Specification



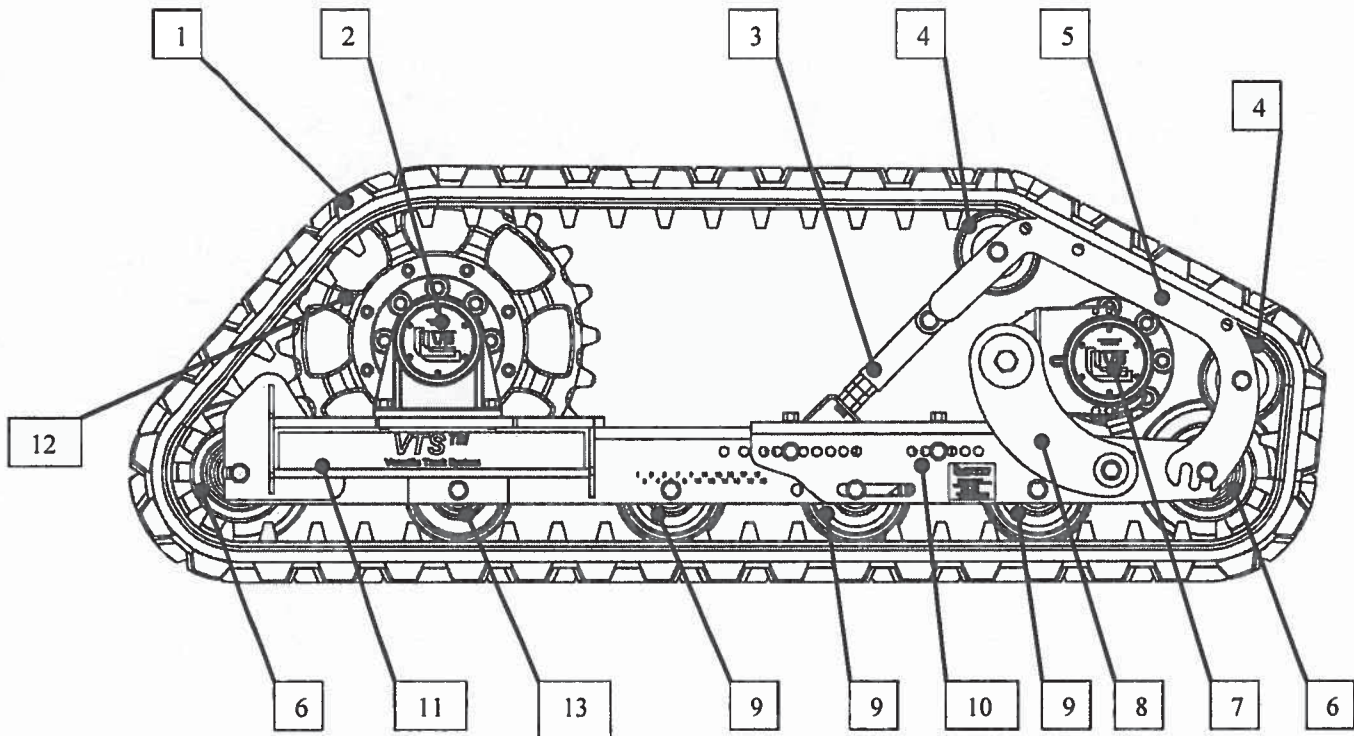
Item	Description	Torque(US)	Torque(Metric)	Socket
1	1-14UNC x 2" Gr. 8	750 ft/lbs.	1017 N m	1 1/2"
2	5/8-11UNC x 1 1/2" Gr. 8	211 ft/lbs.	286.1 N m	1-5/16"
3	3/4 -10UNC x 1 1/2 Gr. 8	376 ft/lbs.	509.8 N m	1-1/8"
4	3/4 -10UNC x 2" Gr. 8	376 ft/lbs.	509.8 N m	1-1/8"
5	3/4 -10UNC x 3 1/2 Gr. 8	376 ft/lbs.	509.8 N m	1-1/8"
6	5/8 Sprocket Cap screws	211 ft/lbs.	286.1 N m	
7	3/4 -10UNC x 4 1/2 Gr. 8	376 ft/lbs.	509.8 N m	1-1/8"

65/86+ VTS Torque Specification



Item	Description	Torque(US)	Torque(Metric)	Socket
1	1-14UNC x 2" Gr. 8	750 ft/lbs.	1017 N m	1½"
2	5/8-11UNC x 1½" Gr. 8	211 ft/lbs.	286.1 N m	1-5/16"
3	3/4 -10UNC x 1½ Gr. 8	376 ft/lbs.	509.8 N m	1-1/8"
4	3/4 -10UNC x 2" Gr. 8	376 ft/lbs.	509.8 N m	1-1/8"
5	3/4 -10UNC x 3½ Gr. 8	376 ft/lbs.	509.8 N m	1-1/8"
6	5/8 Sprocket Cap screws	211 ft/lbs.	286.1 N m	
7	3/4 -10UNC x 4 1/2 Gr. 8	376 ft/lbs.	509.8 N m	1-1/8"

Nomenclature



NOMENCLATURE

1. Rubber Track
2. Rear Hub Assembly
3. Tension Adjustment Turnbuckle
4. Tension Roller
5. Tension Arm Assembly
6. Idler Assembly
7. Front Hub Assembly
8. Torsion Arm
9. Bogey Wheel
10. Front Tunnel Assembly
11. Rear Tunnel Assembly
12. Drive Sprocket
13. Split Bogey