



86+ VTS
Versatile Track System

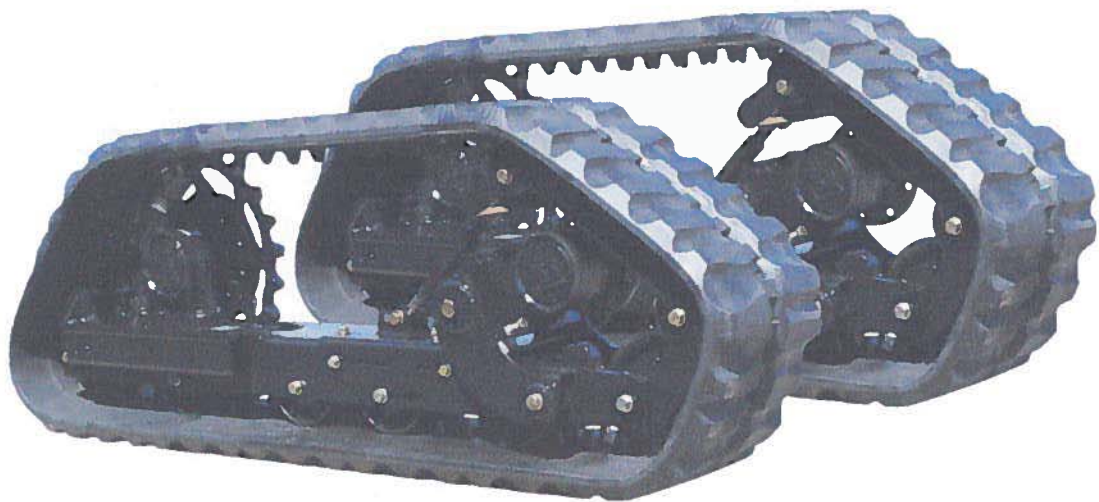


Table of Contents

VTS 86+ MODELS

- | | |
|---------------------------|---------|
| 1. RH Front Hub Assembly | Page 25 |
| 2. LH Front Hub Assembly | Page 26 |
| 3. Rear Hub Assembly | Page 27 |
| 4. Tension Arm Assembly | Page 28 |
| 5. Tunnel Assembly | Page 29 |
| 6. Tunnel Idler and Bogie | Page 30 |

ADDITIONAL NOTES

86+ VTS The 86+ VTS systems have the same style undercarriage as the 65+, however, this undercarriage system has 4 bogey wheels instead of 3 and it also has 4 split bogey wheels instead of 2. The 86+ VTS systems only get 18" wide tracks, and will not fit on the 65+ horse power machines.

REPLACING BEARINGS AND SEALS ON VTS

COMPONENT PARTS ARE AVAILABLE TO REBUILD HUBS, BOGEYS, SPLITS BOGEYS, TENSION ROLLERS AND IDLERS FROM SERIAL NUMBER 30000 TO CURRENT. COMPONENT PARTS ARE NOT AVAILABLE TO REBUILD HUBS, BOGEYS, SPLITS BOGEYS, TENSION ROLLERS AND IDLERS FROM SERIAL NUMBER 20000 TO 29999. WHEN REPLACING ROLLERS WITH THE METAL FACE SEALS CONTACT THE FACTORY FOR SPECIAL HANDLING INSTRUCTIONS.

IMPORTANT

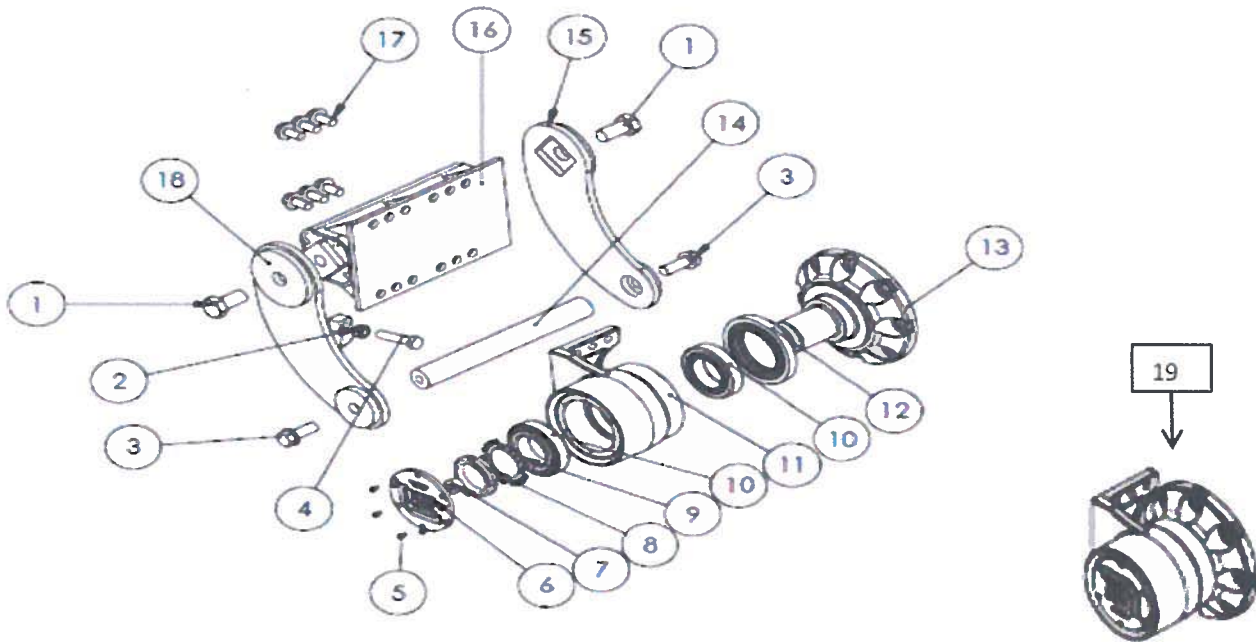
WHEN MOUNTING THE VTS TO THE MACHINE THE LUG NUTS NEED TO BE TORQUED AT **190 FT/LBS DO NOT TORQUE TO THE TIRE TORQUE RATING.**

VTS 86+ RH FRONT HUB ASSEMBLY

FOR ALL VTS 86+ MODELS

REV.060112

REF:NO.	PART NUMBER	QTY	DESCRIPTION				
1	400665	2	BOLT, 1-14UNC X 2.00" GRD. 8 PLATED		TORQUE AT 750 FT/LBS - CRITICAL		
2	PH0190-5CP	1	NUT 5/8"-11UNC GRD. 8 JAM NUT				
3	PD5210-2CP	2	BOLT, FLANGE 3/4"-10UNC X 2.0" GRD. 8 PLATED		TORQUE AT 376 FT/LBS		
4	PD0190-3CP	1	BOLT 5/8"-11 NC X 3.0" GRD. 8 PLATED FI THRD.				
5	400518	6	SCREW,CAP 10-24 X .375				
6	400513	1	COVER, DUST				
7	400656	1	SOCKET PIPE PLUG 3/4 X 3/4				
8	400350	1	NUT, LOCK				
9	401447	1	WASHER,LOCK				
10	401398	2	BEARING , TAPERED ROLLER				
11	NSS	1	ASSY., FRONT HUB BRACKET W/ RUBBER INJECTION				
12	401132	1	SEAL, SPINDLE				
13	401124	1	SPINDLE, WHEEL-FRONT				
14	400297	1	SHAFT, SUSPENSION				
15	500055	1	TORSION ARM, LEFT				
16	500057	1	TORSION TUBE				
17	PD5190-1.25CP	6	BOLT, FLANGE, 5/8"-11UNC X 1.25" GRD. 8 PLATED		TORQUE AT 211 FT/LBS		
18	500203	1	TORSION ARM, RIGHT W/STOP				
19	600459	1	ASSY., FRONT RIGHT HUB				



IMPORTANT NOTE:

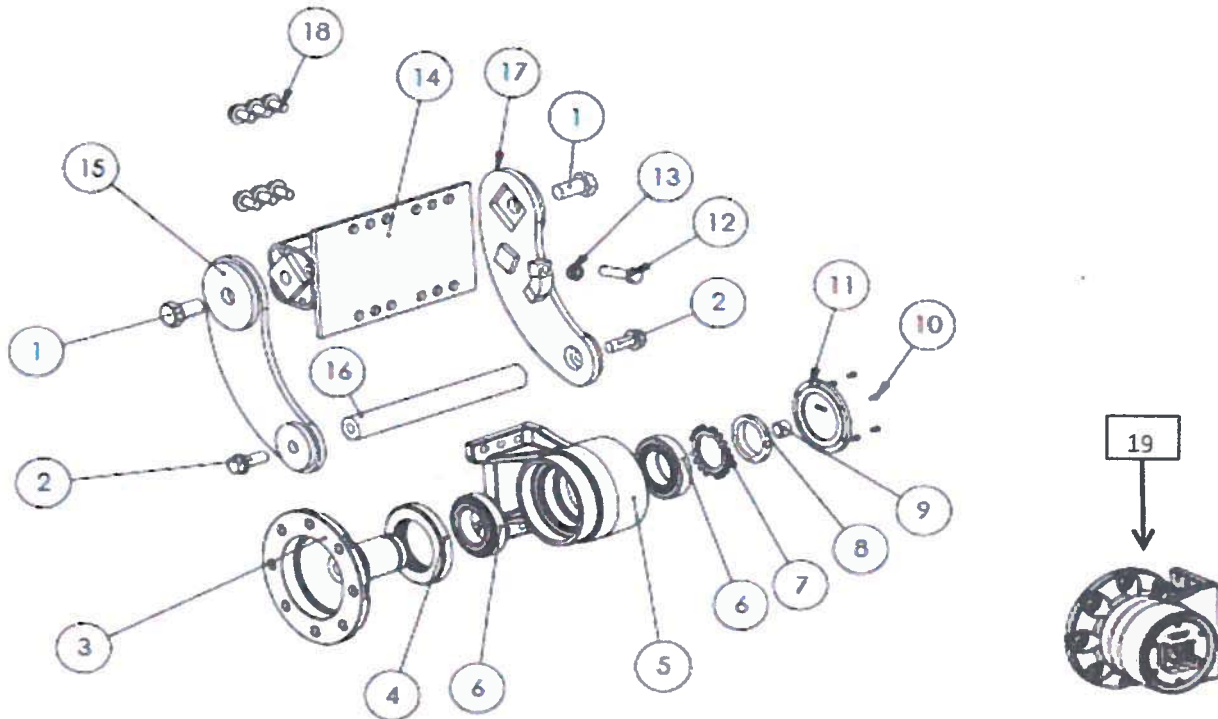
All hubs that are on 86+ VTS units with a serial number of 30000 or higher can be rebuilt and parts are available. VTS units with a serial number of 29999 or less will have to order new hubs, parts are not available. Reference contents page for additional notes.

VTS 86+ LH FRONT HUB ASSEMBLY

FOR ALL VTS 86+ MODELS

REV.060112

REF:NO.	PART NUMBER	QTY	DESCRIPTION			
1	400665	2	BOLT, 1-14UNC X 2.00" GRD. 8 PLATED		TORQUE AT 750 FT/LBS - CRITICAL	
2	PD5210-2CP	2	BOLT, FLANGE 3/4"-10UNC X 2.00" GRD. 8 PLATED		TORQUE AT 376 FT/LBS	
3	401124	1	SPINDLE, WHEEL FRONT			
4	401132	1	SEAL, SPINDLE			
5	NSS	1	ASSY., FRONT HUB BRACKET W/RUBBER INJECTION			
6	401398	2	BEARING, TAPERED ROLLER			
7	401447	1	WASHER, LOCK			
8	400350	1	NUT, LOCK			
9	400656	1	SOCKET PIPE PLUG 3/4 X 3/4			
10	400518	6	SCREW, CAP 10-24 X .375			
11	400513	1	COVER, DUST			
12	PD0190-3CP	1	BOLT 5/8"-11NC X 3.00" GRD. 8 PLATED FI THRD			
13	PH0190-5CP	1	NUT 5/8-11UNC GRD. 8 JAM NUT			
14	500057	1	TORSION TUBE			
15	500054	1	TORSION ARM			
16	400297	1	SHAFT, SUSPENSION			
17	500204	1	TORSION ARM, LEFT WSTOP			
18	PD5190-1.25CP	6	BOLT, FLANGE 5/8"-11UNC X 1.25" GRD. 8 PLATED		TORQUE AT 211 FT/LBS	
19	600460	1	ASSY., FRONT LEFT HUB			



IMPORTANT NOTE:

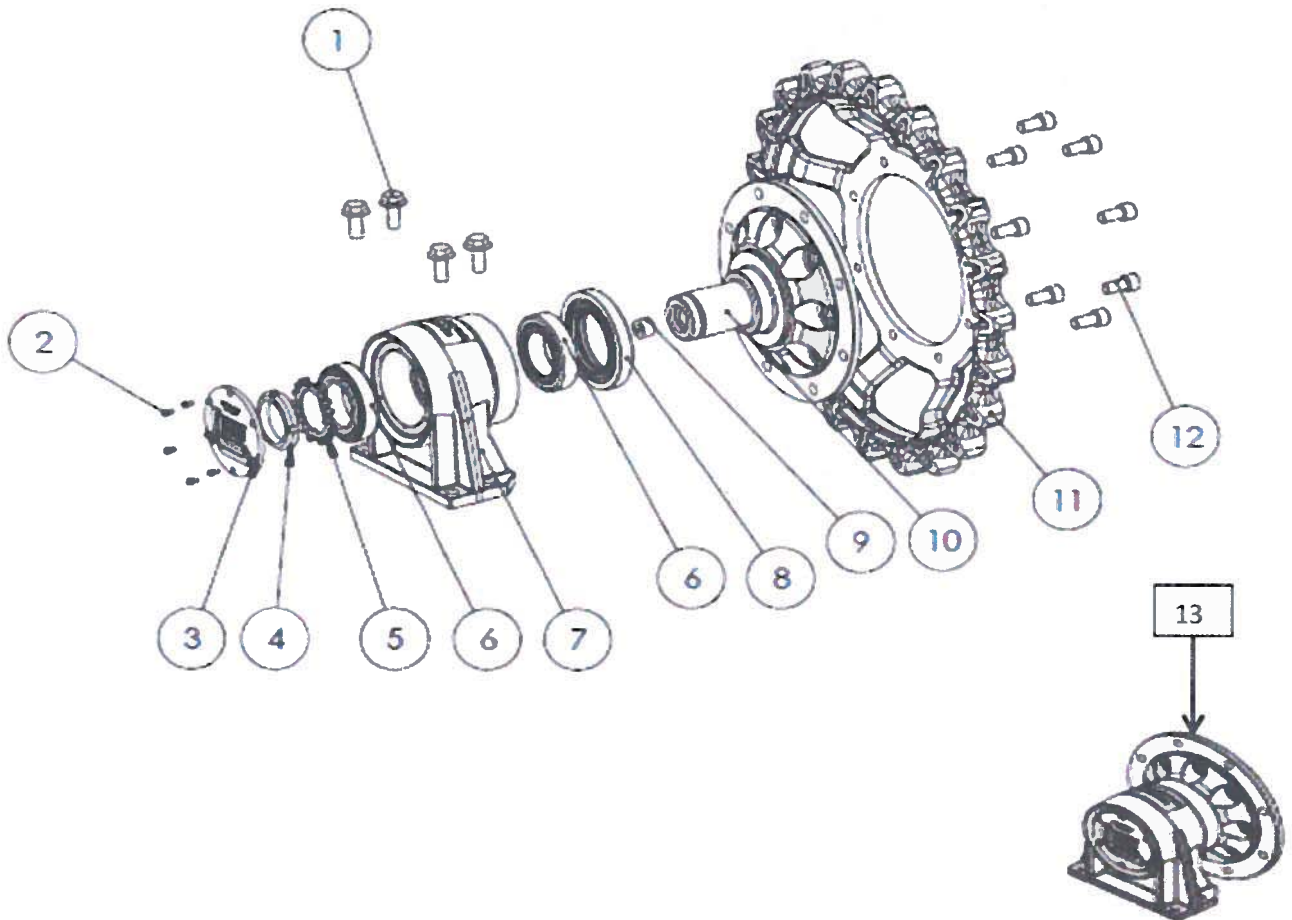
All hubs that are on 86+ VTS units with a serial number of 30000 or higher can be rebuilt and parts are available. VTS units with a serial number of 29999 or less will have to order new hubs, parts are not available. Reference contents page for additional notes.

VTS 86+ REAR HUB ASSEMBLY

FOR ALL VTS 86+ MODELS

REV.060112

REF:NO.	PART NUMBER	QTY	DESCRIPTION			
1	PD5190-1.5CP	4	BOLT, FLANGE 5/8"-11UNC X 1.5" GRD. 8 PLATED	TORQUE AT 211 FT/LBS		
2	400518	6	SCREW, CAP 10-24 X .375			
3	400513	1	COVER, DUST			
4	400350	1	NUT, LOCK			
5	401447	1	WASHER, LOCK			
6	401398	2	BEARING, TAPERED ROLLER			
7	NSS	1	ASSY., REAR HUB BRACKET W/INJECTED RUBBER			
8	401132	1	SEAL, SPINDLE			
9	400656	1	SOCKET PIPE PLUG 3/4 X 3/4			
10	401125	1	SPINDLE, WHEEL-REAR			
11	400914	1	SPROCKET, 22 TOOTH			
12	401075	8	SCREW, CAP 5/8-11UNC X 1.25" GRD. 8 PLATED	TORQUE AT 211 FT/LBS		
13	600461	1	ASSY., REAR HUB			



IMPORTANT NOTE:

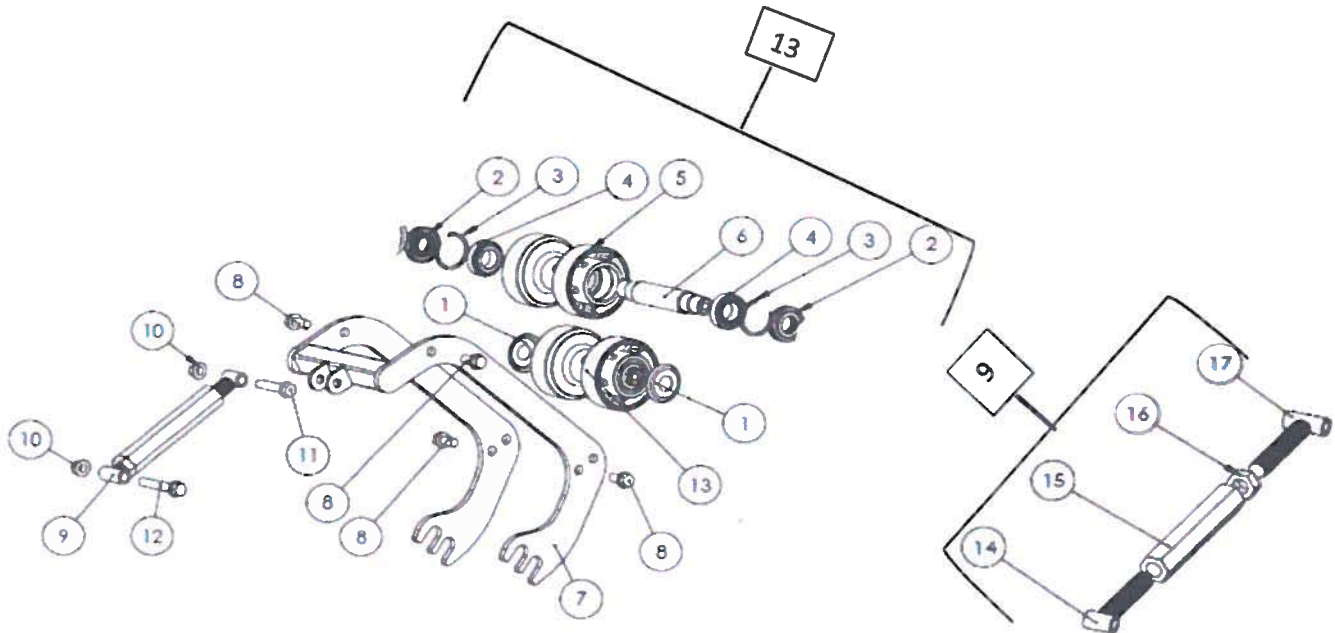
All hubs that are on 86+ VTS units with a serial number of 30000 or higher can be rebuilt and parts are available. VTS units with a serial number of 29999 or less, will have to order new hubs, parts are not available. Reference contents page for additional notes.

VTS 86+ TENSION ARM ASSEMBLY

FOR ALL VTS 86+ MODELS

REV.060112

REF:NO.	PART NUMBER	QTY	DESCRIPTION			
1	401118	4	COVER, DUST			
2	401122	2	SEAL, IDLER/ROLLER			
3	401524	2	SNAP RING			
4	401109	2	BEARING, TAPERED ROLLER			
5	NSS	1	ROLLER, TENSION			
6	401117	1	SHAFT, TENSION			
7	500514	1	TENSION ARM			
8	PD5210-1.5CP	4	BOLT, FLANGE, 3/4"-10UNC X 1.50" GRD. 8 PLATED	TORQUE AT 376 FT/LBS		
9	600546	1	TURNBUCKLE ASSY.			
10	PH5210-4CP	2	NUT, FLANGE, LOCK 3/4"-10UNC GRD. 8 PLATED			
11	PD5210-3.5CP	1	BOLT, FLANGE, 3/4"-10UNC X 3.50" GRD. 8 PLATED	TORQUE AT 376 FT/LBS		
12	PD5210-4.5CP	1	BOLT 3/4"-10UNC X 4.50" GRD. 8 PLATED	TORQUE AT 376 FT/LBS		
13	600456	2	ASSY., TENSION ROLLER			
14	500286	1	TENSION ROD			
15	401309	1	SHAFT			
16	401310	1	NUT 1 1/4-7UNC			
17	600545	1	TENSION ROD			



IMPORTANT NOTE:

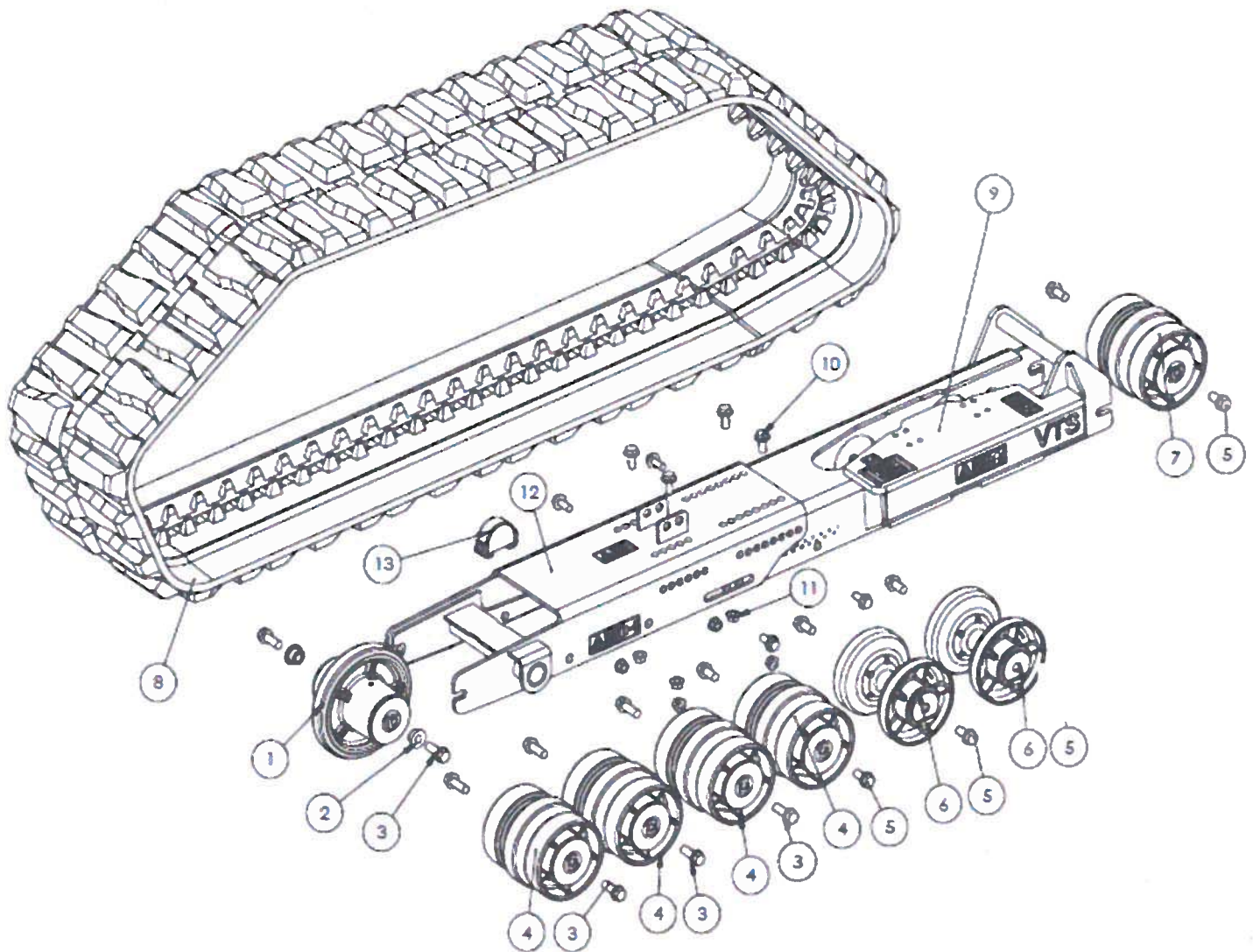
All rollers that are on 86+ VTS units with a serial number of 30000 or higher can be rebuilt and parts are available. VTS units with a serial number of 29999 or less will have to order new rollers, parts are not available. Reference contents page for additional notes.

VTS 86 + TUNNEL ASSEMBLY

FOR ALL VTS 86+ MODELS (LH SHOWN)

REV.060112

REF:NO.	PART NUMBER	QTY	DESCRIPTION			
1	601475	1	FRONT IDLER			
2	402169	2	BUSHING 1" OD X .781" ID			
3	PD5210-2CP	8	BOLT, FLANGE, 3/4"-10UNC X 2.0" GRD. 8 PLATED	TORQUE AT 376 FT/LB		
4	601462	4	ASSEMBLY, BOGEY			
5	PD5210-1.5CP	8	BOLT, FLANGE, 3/4"-10UNC X 1.5" GRD. 8 PLATED	TORQUE AT 376 FT/LB		
6	601816	4	SPLIT BOGEY			
7	601493	1	REAR IDLER			
8	401348	1	TRACK, RUBBER 63 LINK, 18" WIDE			
9	500429	1	LEFT REAR TUNNEL (SHOWN)			
9	500431	1	RIGHT REAR TUNNEL			
10	PD5190-1.5CP	8	BOLT, FLANGE, 5/8"-11UNC X 1.5" GRD. 8 PLATED	TORQUE AT 211 FT/LBS		
11	PH5190-4CP	8	FLANGE LOCK NUT 5/8" -11 GRD 8 PLATED			
12	500284	1	LEFT FRONT TUNNEL (SHOWN)			
12	500283	1	RIGHT FRONT TUNNEL			
13	600544	1	DOWN STOP ASSY.			

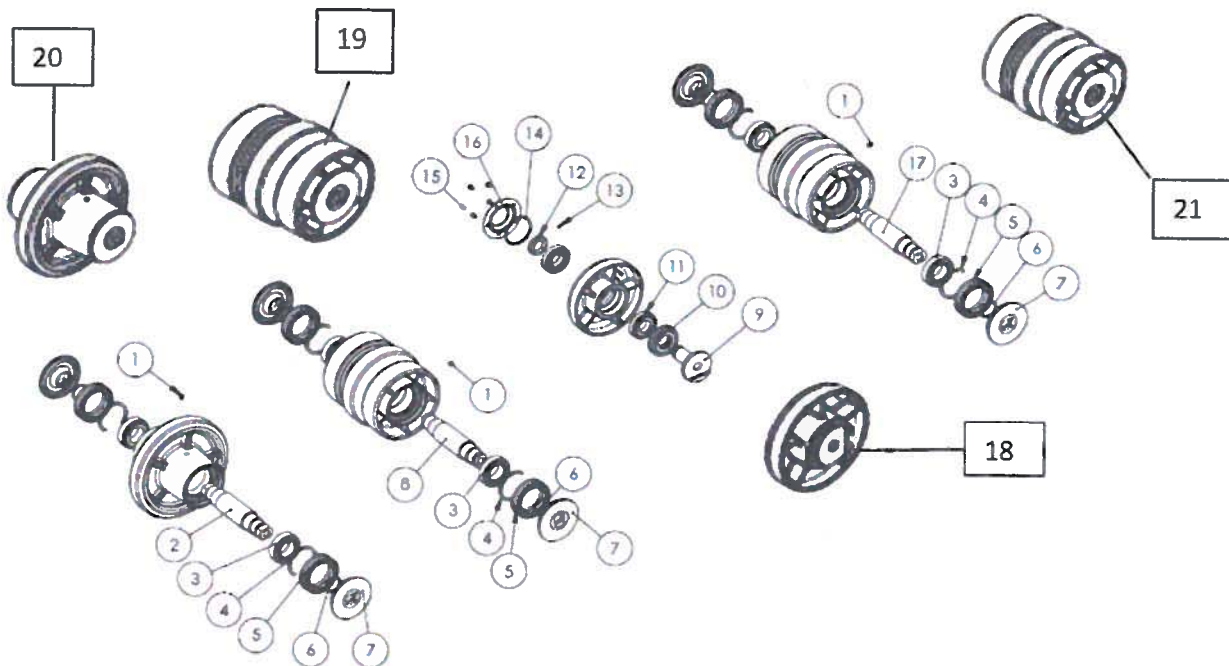


VTS 86+ TUNNEL IDLER AND BOGIE ASSEMBLY

FOR ALL VTS 86+ MODELS

REV.060112

REF:NO.	PART NUMBER	QTY	DESCRIPTION
1	402546	3	SOCKET PIPE PLUG 1/8-27 NPT
2	402320	1	SHAFT, IDLER
3	401109	6	BEARING, TAPERED ROLLER
4	401524	6	SNAP RING
5	402179	6	SEAL, 73MM, DUAL CONE
6	402210	6	O-RING, ID 38.7MM, CROSS SECTION 3.55MM
7	402209	6	RETAINER, SEAL
8	402332	1	SHAFT, BOGIE
9	402522	1	SHAFT, SPLIT BOGIE
10	401122	1	SEAL, IDLER/ROLLER
11	401149	2	BEARING, TAPERED ROLLER
12	400736	1	NUT, LOCK
13	401078	1	SET SCREW FOR THE LOCK NUT TORQUE AT 30 FT-LBS
14	402041	1	O-RING
15	400603	5	SCREW, CAP, BUTTON HD. 1/4"-20 X .50"
16	402042	1	COVER, CAST-SPLIT BOGEY
17	402321	1	SHAFT FOR REAR IDLER
18	601816	4	SPLIT BOGEY
19	601462	4	BOGEY
20	601475	1	IDLER FRONT
21	601493	1	REAR IDLER



IMPORTANT NOTE:

IDLER, BOGEY AND SPLIT BOGEY CASTINGS ARE NSS. All rollers that have a serial number of 30000 or higher can be rebuilt. VTS units with a serial number of 29999 or less will have to order new bogeys, split bogeys and idlers. Reference contents page for additional notes.