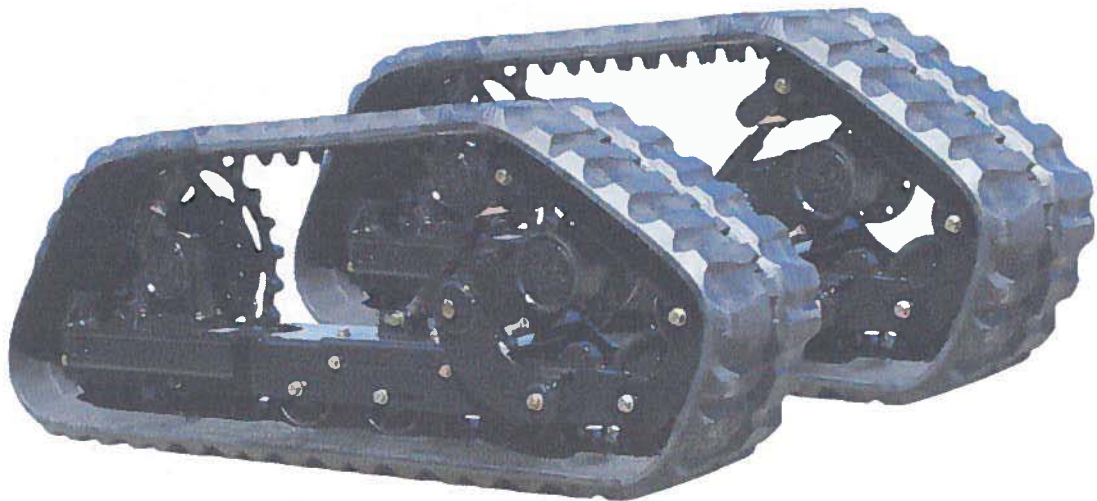




# **65+ VTS**

***Versatile Track System  
FOR***

***ALL 65+ MACHINES EXCEPT BOBCAT***



# Table of Contents

## VTS 65+ (ALL MODELS EXCEPT BOBCAT)

- |                            |         |
|----------------------------|---------|
| 1. RH Front Hub Assembly   | Page 13 |
| 2. LH Front Hub Assembly   | Page 14 |
| 3. Rear Hub Assembly       | Page 15 |
| 4. Tension Arm Assembly    | Page 16 |
| 5. Tunnel Assembly         | Page 17 |
| 6. Tunnel Idler and Bogies | Page 18 |

## ADDITIONAL NOTES

**65+ VTS** The 65+ VTS systems are Heavier assemblies for the large skid steers that have a horse power range of 65 to 85 horse power. These VTS only come with 18" wide tracks. The 65+ undercarriages are made of heavier gauge steel than the 50+ undercarriages.

## REPLACING BEARINGS AND SEALS ON VTS

**COMPONENT PARTS ARE AVAILABLE TO REBUILD HUBS,BOGEYS, SPLITS BOGEYS, TENSION ROLLERS AND IDLERS FROM SERIAL NUMBER 30000 TO CURRENT. COMPONENT PARTS ARE NOT AVAILABLE TO REBUILD HUBS,BOGEYS, SPLITS BOGEYS, TENSION ROLLERS AND IDLERS FROM SERIAL NUMBER 20000 TO 29999. WHEN REPLACING ROLLERS WITH THE METAL FACE SEALS CONTACT THE FACTORY FOR SPECIAL HANDLING INSTRUCTIONS.**

## IMPORTANT

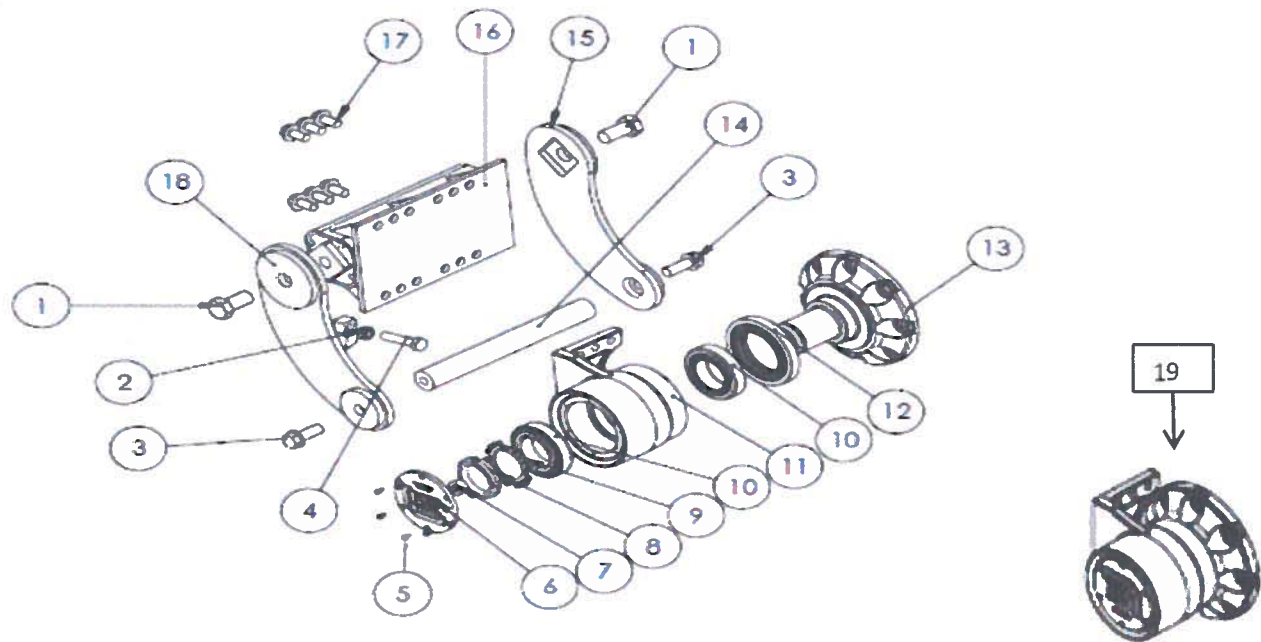
**WHEN MOUNTING THE VTS TO THE MACHINE THE LUG NUTS NEED TO BE TORQUED AT 190 FT/LBS DO NOT TORQUE TO THE TIRE TORQUE RATING.**

## VTS 65+ RH FRONT HUB ASSEMBLY

FOR ALL VTS 65+ MODELS EXCEPT BOBCAT

REV.060112

REF:NO.	PART NUMBER	QTY	DESCRIPTION			
1	400665	2	BOLT, 1-14UNC X 2.00" GRD. 8 PLATED		TORQUE AT 750 FT/LBS - CRITICAL	
2	PH0190-5CP	1	NUT 5/8"-11UNC GRD. 8 JAM NUT			
3	PD5210-2CP	2	BOLT, FLANGE 3/4"-10UNC X 2.0" GRD. 8 PLATED		TORQUE AT 376 FT/LBS	
4	PD0190-3CP	1	BOLT 5/8"-11 NC X 3.0" GRD. 8 PLATED FI THRD.			
5	400518	6	SCREW,CAP 10-24 X .375			
6	400513	1	COVER, DUST			
7	400656	1	SOCKET PIPE PLUG 3/4 X 3/4			
8	400350	1	NUT, LOCK			
9	401447	1	WASHER,LOCK			
10	401398	2	BEARING , TAPERED ROLLER			
11	NSS	1	ASSY., FRONT HUB BRACKET W/ RUBBER INJECTION			
12	401132	1	SEAL, SPINDLE			
13	401124	1	SPINDLE, WHEEL-FRONT			
14	400297	1	SHAFT, SUSPENSION			
15	500055	1	TORSION ARM, LEFT			
16	500057	1	TORSION TUBE			
17	PD5190-1.25CP	6	BOLT, FLANGE, 5/8"-11UNC X 1.25" GRD. 8 PLATED		TORQUE AT 211 FT/LBS	
18	500203	1	TORSION ARM, RIGHT W/STOP			
19	600459	1	ASSY., FRONT RIGHT HUB			



**IMPORTANT NOTE:**

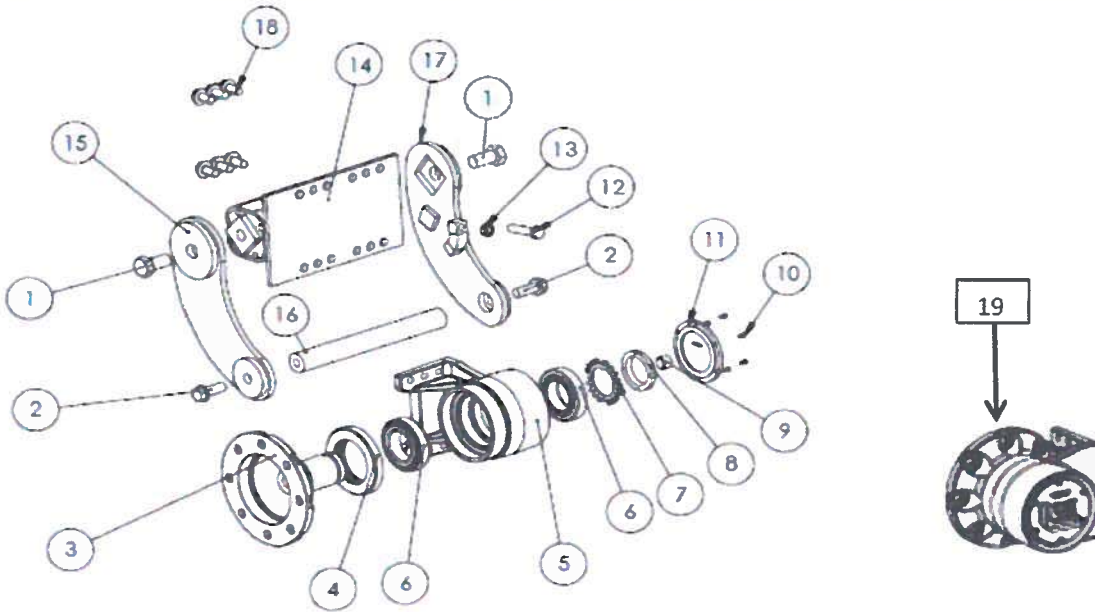
All hubs that are on 65+ VTS units with a serial number of 30000 or higher can be rebuilt and parts are available. VTS units with a serial number of 29999 or less, will have to order new hubs, parts are not available. Reference contents page for additional notes.

## VTS 65+ LH FRONT HUB ASSEMBLY

FOR ALL VTS 65+ MODELS EXCEPT BOBCAT

REV.060112

REF:NO.	PART NUMBER	QTY	DESCRIPTION			
1	400665	2	BOLT, 1-14UNC X 2.00" GRD. 8 PLATED			TORQUE AT 750 FT/LBS - CRITICAL
2	PD5210-2CP	2	BOLT, FLANGE 3/4"-10UNC X 2.00" GRD. 8 PLATED			TORQUE AT 376 FT/LBS
3	401124	1	SPINDLE, WHEEL FRONT			
4	401132	1	SEAL, SPINDLE			
5	NSS	1	ASSY., FRONT HUB BRACKET W/RUBBER INJECTION			
6	401398	2	BEARING, TAPERED ROLLER			
7	401447	1	WASHER, LOCK			
8	400350	1	NUT, LOCK			
9	400656	1	SOCKET PIPE PLUG 3/4 X 3/4			
10	400518	6	SCREW, CAP 10-24 X .375			
11	400513	1	COVER, DUST			
12	PD0190-3CP	1	BOLT 5/8"-11NC X 3.00" GRD. 8 PLATED FI THRD			
13	PH0190-5CP	1	NUT 5/8-11UNC GRD. 8 JAM NUT			
14	500057	1	TORSION TUBE			
15	500054	1	TORSION ARM, RIGHT			
16	400297	1	SHAFT, SUSPENSION			
17	500204	1	TORSION ARM, LEFT WSTOP			
18	PD5190-1.25CP	6	BOLT, FLANGE 5/8"-11UNC X 1.25" GRD. 8 PLATED			TORQUE AT 211 FT/LBS
19	600460	1	ASSY., FRONT LEFT HUB			



**IMPORTANT NOTE:**

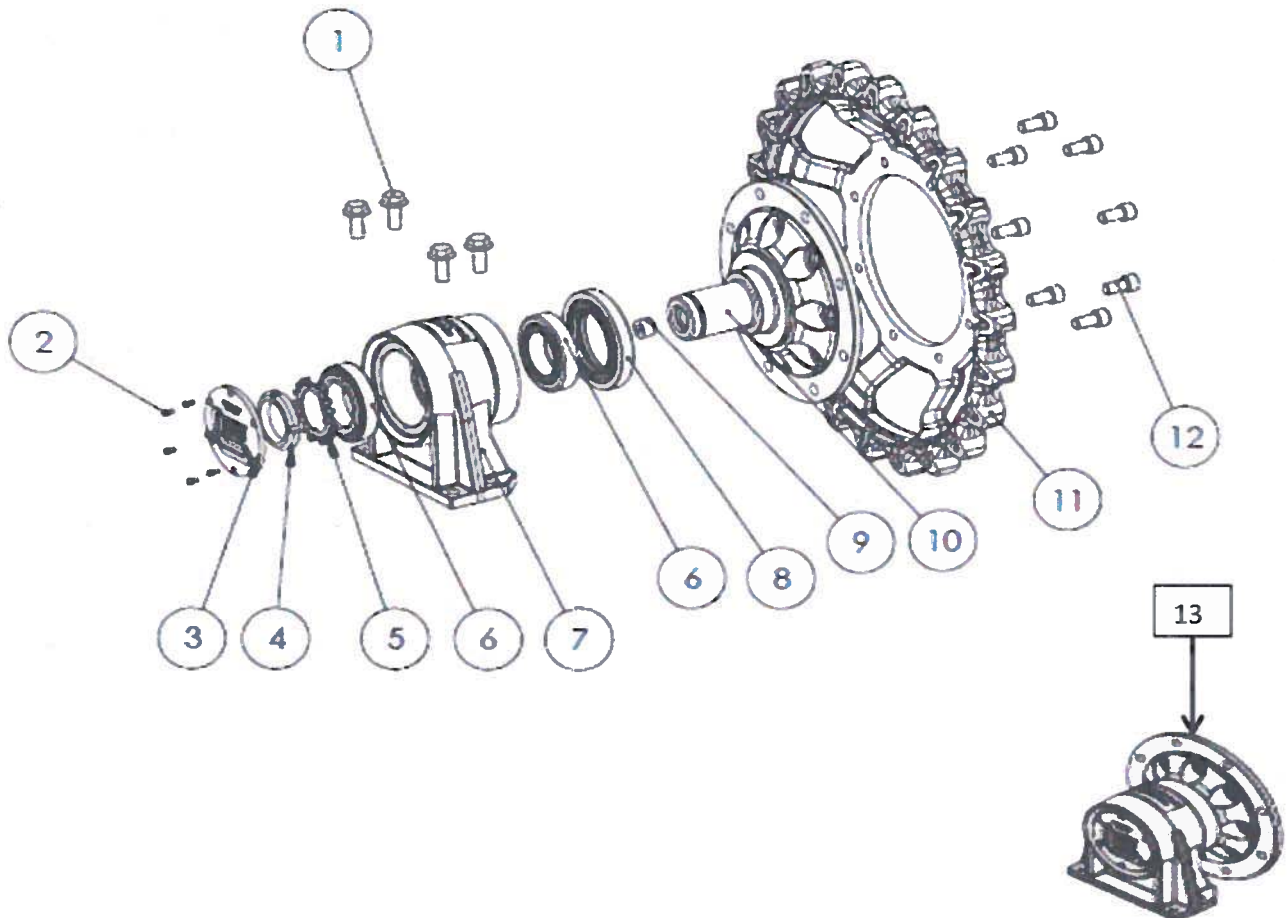
All hubs that are on 65+ VTS units with a serial number of 30000 or higher can be rebuilt and parts are available. VTS units with a serial number of 29999 or less, will have to order new hubs, parts are not available. Reference contents page for additional notes.

### VTS 65+ REAR HUB ASSEMBLY

FOR ALL VTS 65+ MODELS EXCEPT BOBCAT

REV.060112

REF:NO.	PART NUMBER	QTY	DESCRIPTION			
1	PD5190-1.5CP	4	BOLT, FLANGE 5/8"-11UNC X 1.5" GRD. 8 PLATED	TORQUE AT 211 FT/LBS		
2	400518	6	SCREW, CAP 10-24 X .375			
3	400513	1	COVER, DUST			
4	400350	1	NUT, LOCK			
5	401447	1	WASHER, LOCK			
6	401398	2	BEARING, TAPERED ROLLER			
7	NSS	1	ASSY., REAR HUB BRACKET W/INJECTED RUBBER			
8	401132	1	SEAL, SPINDLE			
9	400656	1	SOCKET PIPE PLUG 3/4 X 3/4			
10	401125	1	SPINDLE, WHEEL-REAR			
11	400914	1	SPROCKET, 22 TOOTH			
12	401075	8	SCREW, CAP 5/8-11UNC X 1.25" GRD. 8 PLATED	TORQUE AT 211 FT/LBS		
13	600461	1	ASSY., REAR HUB			



**IMPORTANT NOTE:**

All hubs that are on 65+ VTS units with a serial number of 30000 or higher can be rebuilt and parts are available. VTS units with a serial number of 29999 or less, will have to order new hubs, parts are not available. Reference contents page for additional notes.

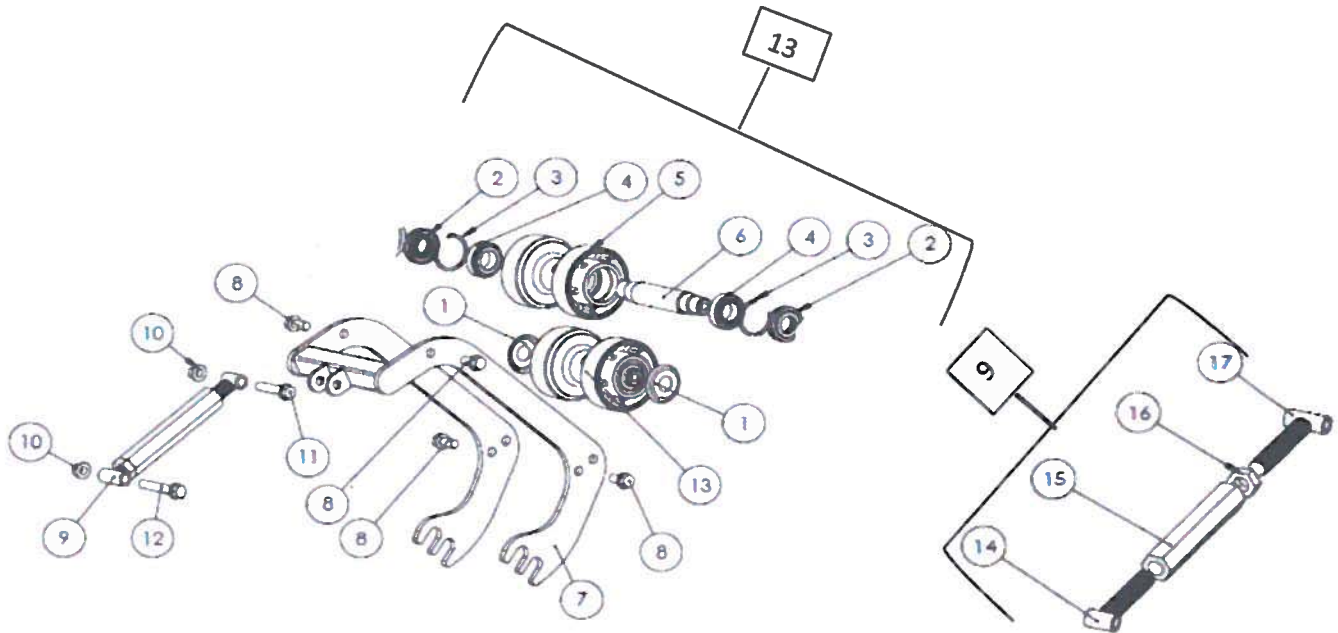


# VTS 65+ TENSION ARM ASSEMBLY

FOR ALL VTS 65+ MODELS

REV.060112

REF:NO.	PART NUMBER	QTY	DESCRIPTION			
1	401118	4	COVER, DUST			
2	401122	2	SEAL, IDLER/ROLLER			
3	401524	2	SNAP RING			
4	401109	2	BEARING, TAPERED ROLLER			
5	NSS	1	ROLLER, TENSION			
6	401117	1	SHAFT, TENSION			
7	500514	1	TENSION ARM			
8	PD5210-1.5CP	4	BOLT, FLANGE, 3/4"-10UNC X 1.50" GRD. 8 PLATED	TORQUE AT 376 FT/LBS		
9	600546	1	TURNBUCKLE ASSY.			
10	PH5210-4CP	2	NUT, FLANGE, LOCK 3/4"-10UNC GRD. 8 PLATED			
11	PD5210-3.5CP	1	BOLT, FLANGE, 3/4"-10UNC X 3.50" GRD. 8 PLATED	TORQUE AT 376 FT/LBS		
12	PD5210-4.5CP	1	BOLT 3/4"-10UNC X 4.50" GRD. 8 PLATED	TORQUE AT 376 FT/LBS		
13	600456	2	ASSY., TENSION ROLLER			
14	500286	1	TENSION ROD			
15	401309	1	SHAFT			
16	401310	1	NUT 1 1/4-7UNC			
17	600545	1	TENSION ROD			



**IMPORTANT NOTE:**

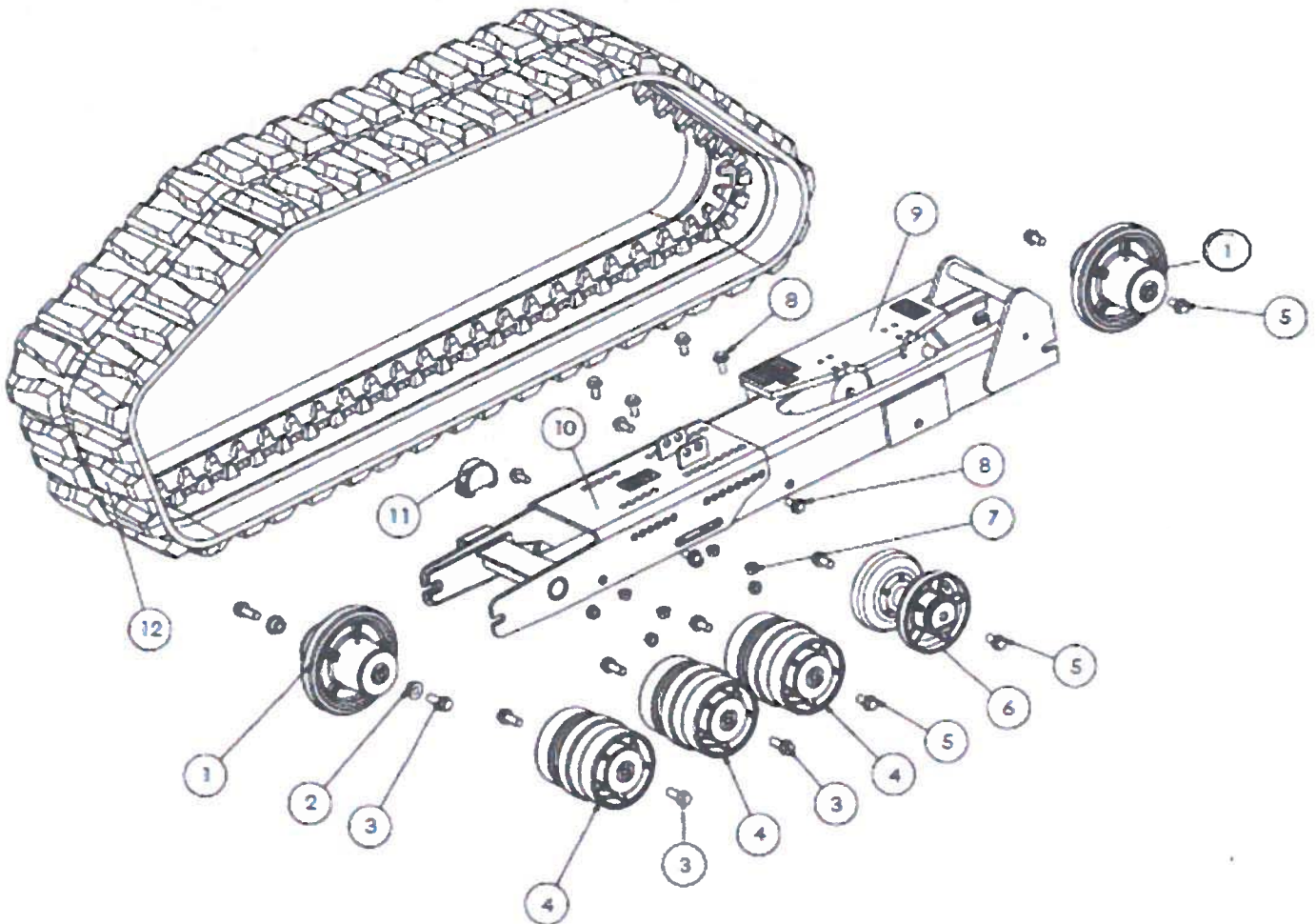
All rollers that are on 65+ VTS units with a serial number of 30000 or higher can be rebuilt and parts are available. VTS units with a serial number of 29999 or less, will have to order new rollers, parts are not available. Reference contents page for additional notes.

### VTS 65+ TUNNEL ASSEMBLY

FOR ALL VTS 65+ MODELS EXCEPT BOBCAT

REV.060112

REF:NO.	PART NUMBER	QTY	DESCRIPTION			
1	601475	2	ASSY., IDLER GUIDE			
2	402169	2	BUSHING 1" OD X .781" ID			
3	PD5210-1.5CP	6	BOLT, FLANGE, 3/4"-10UNC X 1.5" GRD. 8 PLATED	TORQUE AT 376 FT.LBS		
4	601462	3	ASSY. , IDLER GUIDE			
5	PD5210-2CP	6	BOLT, FLANGE, 3/4"-10UNC X 2.0" GRD. 8 PLATED	TORQUE AT 376 FT.LBS		
6	601816	2	BOGIE, SPLIT			
7	PH5190-4CP	8	NUT, FLANGE, LOCK 5/8"-11UNV GRD. 8 PLATED			
8	PD5190-1.5CP	8	BOLT, FLANGE, 5/8"-11UNC X 1.5" GRD. 8 PLATED	TORQUE AT 211 FT.LBS		
9	500175	1	RIGHT REAR TUNNEL (SHOWN)			
	500176	1	LEFT REAR TUNNEL			
10	500294	1	RIGHT FRONT TUNNEL (SHOWN)			
	500293	1	LEFT FRONT TUNNEL			
11	600544	1	DOWN STOP ASSY.			
12	400285	1	TRACK, RUBBER, 56 LINK 18" WIDE			
	401338	1	TRACK, RUBBER, 58 LINK 18" WIDE			
	401087	1	TRACK, RUBBER, 59 LINK 18" WIDE			
	400527	1	TRACK, RUBBER, 60 LINK 18" WIDE			

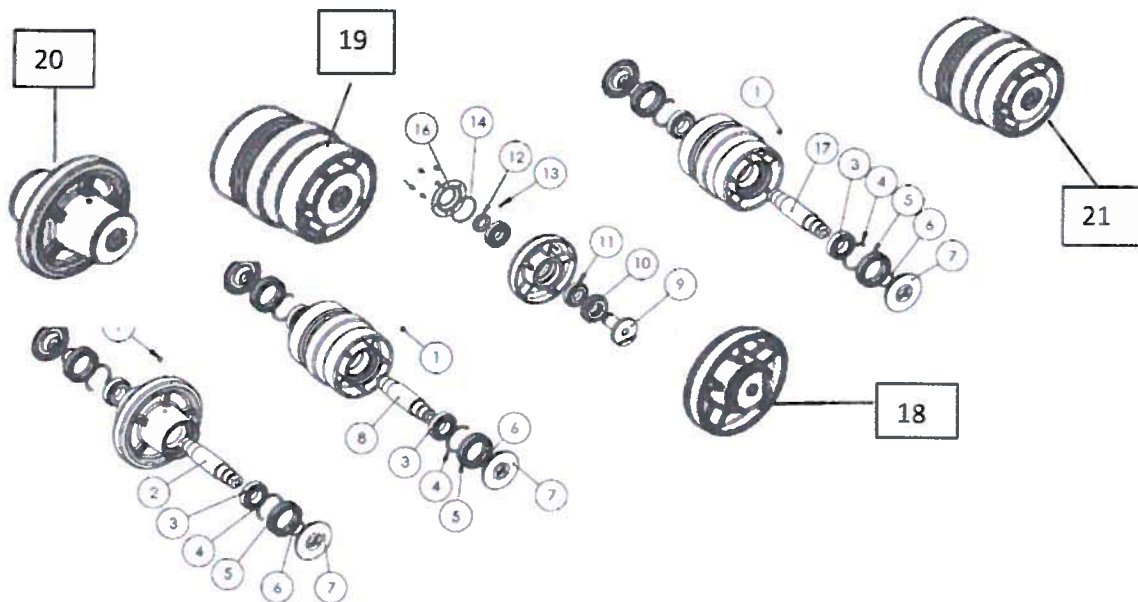


# VTS 65+ TUNNEL IDLER AND BOGIE ASSEMBLY

FOR ALL VTS 65+ MODELS

REV.060112

REF:NO.	PART NUMBER	QTY	DESCRIPTION
1	402546	3	SOCKET PIPE PLUG 1/8-27 NPT
2	402320	1	SHAFT, IDLER
3	401109	6	BEARING, TAPERED ROLLER
4	401524	6	SNAP RING
5	402179	6	SEAL, 73MM, DUAL CONE
6	402210	6	O-RING, ID 38.7MM, CROSS SECTION 3.55MM
7	402209	6	RETAINER, SEAL
8	402332	1	SHAFT, BOGIE
9	402522	1	SHAFT, SPLIT BOGIE
10	401122	1	SEAL, IDLER/ROLLER
11	401149	2	BEARING, TAPERED ROLLER
12	400736	1	NUT, LOCK
13	401078	1	SET SCREW FOR THE LOCK NUT TORQUE AT 30 FT-LBS
14	402041	1	O-RING
15	400603	5	SCREW, CAP, BUTTON HD. 1/4"-20 X .50"
16	402042	1	COVER, CAST-SPLIT BOGEY
17	402321	1	SHAFT FOR REAR IDLER
18	601816	2	SPLIT BOGEY
19	601462	3	BOGEY
20	601475	2	IDLER FRONT AND REAR
21	601493	1	REAR IDLER FOR CERTAIN MODELS



**IMPORTANT NOTE:**

**IDLER, BOGEY AND SPLIT BOGEY CASTINGS ARE NSS. All rollers on the 65+ VTS units with serial number 30000 or higher can be rebuilt. VTS units with serial 29999 or less will have to order new rollers and parts are not available. Reference contents page for additional notes**