



50+ VTS
Versatile Track System
FOR
BOBCAT ONLY

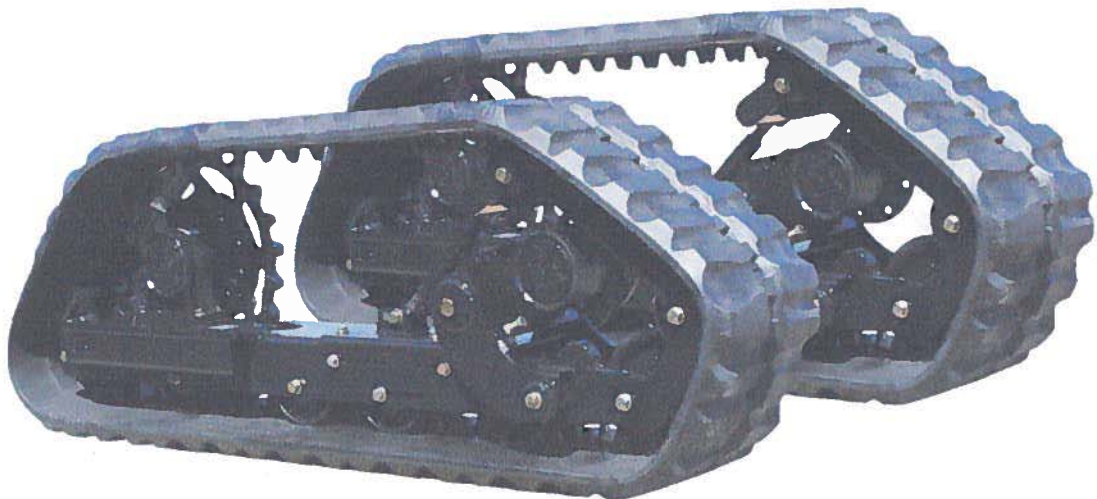


Table of Contents

VTS 50+ BOBCAT MODELS

- | | |
|----------------------------|---------|
| 1. RH Front Hub Assembly | Page 7 |
| 2. LH Front Hub Assembly | Page 8 |
| 3. Rear Hub Assembly | Page 9 |
| 4. Tension Arm Assembly | Page 10 |
| 5. Tunnel Assembly | Page 11 |
| 6. Tunnel Idler and Bogies | Page 12 |

ADDITIONAL NOTES

VTS 50+

The 50+ VTS systems are the compact assemblies for the small skid steers that have a horse power range of 50 to 60 horse power. These VTS only come with a 12" or 15" wide track. The 50+ undercarriages are made of lighter gauge steel and cannot be used on the heavier higher horse power 65+ and 86+ machines.

REPLACING BEARINGS AND SEALS ON VTS

COMPONENT PARTS ARE AVAILABLE TO REBUILD HUBS,BOGEYS, SPLITS BOGEYS, TENSION ROLLERS AND IDLERS FROM SERIAL NUMBER 30000 TO CURRENT. COMPONENT PARTS ARE NOT AVAILABLE TO REBUILD HUBS,BOGEYS, SPLITS BOGEYS, TENSION ROLLERS AND IDLERS FROM SERIAL NUMBER 20000 TO 29999. WHEN REPLACING ROLLERS WITH THE METAL FACE SEALS CONTACT THE FACTORY FOR SPECIAL HANDLING INSTRUCTIONS.

IMPORTANT

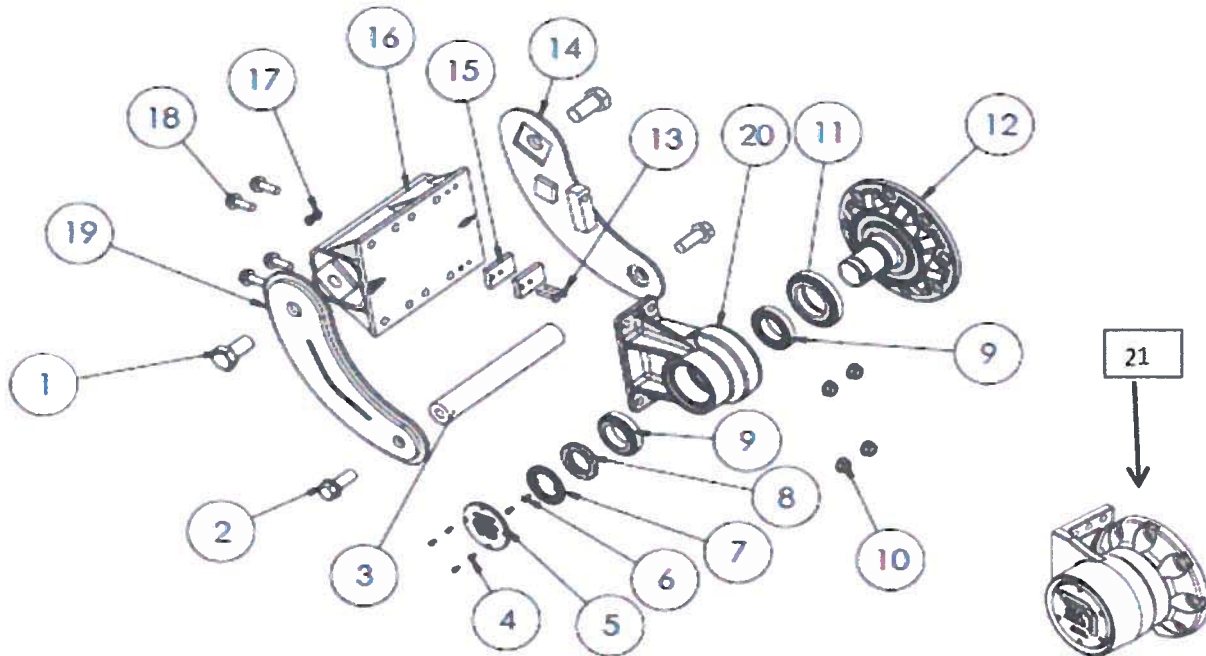
WHEN MOUNTING THE VTS TO THE MACHINE THE LUG NUTS NEED TO BE TORQUED AT 190 FT/LBS DO NOT TORQUE TO THE TIRE TORQUE RATING.

VTS 50+ BOBCAT RH FRONT HUB ASSEMBLY

FOR BOBCAT VTS 50+ MODELS ONLY

REV. 060112

REF:NO.	PART NUMBER	QTY	DESCRIPTION	
1	400665	2	BOLT, 1"-14UNC X 2.00" GRD. 8 PLATED	TORQUE AT 750 FT/LBS
2	PD5210-2CP	2	BOLT, 3/4"-10UNC X 2.00" GRD. 8 PLATED	TORQUE AT 376 FT/LBS
3	401300	1	SHAFT, SUSPENSION, 11.18" LONG	
4	401275	4	SCREW, SKT HD CAP 6-32 X .375	
5	402402	1	COVER, DUST	
6	PDF110-0.5CP	2	SCREW, FLT HD SKT CAP, 10-32 X 0.5	
7	401428	1	WASHER, LOCK	
8	401272	1	NUT, LOCKING	
9	401267	2	BEARING, SINGLE ROW TAPER ROLLER	
10	PH5170-4CP	4	NUT, FLANGE, LOCK, 1/2"-13UNC GRD. 8 PLATED	
11	401270	1	SEAL, SPINDLE	
12	401276	1	SPINDLE, WHEEL-FRONT	
13	PD0130-1.25CP	2	BOLT, 1/4"-20UNC X 1.25" GRD. 8 PLATED	
14	500301	1	LEFT TORSION ARM W/UPSTOP BLOCK	
15	401301	2	UPSTOP BLOCK	
16	500327	1	TORSION TUBE, 11.18" LONG	
17	PH5130-4CP	2	NUT, FLANGE, LOCK 1/4"-20UNC GRD. 8 PLATED	
18	PD5170-1.5CP	4	BOLT, FLANGE, 1/2"-13UNC X 1.50" GRD. 8 PLATED	TORQUE AT 211 FT/LBS
19	500300	1	RIGHT TORSION ARM	
20	NSS	1	ASSY., HUB W/RUBBER INJECTED	
21	600540	1	ASSY., RIGHT FRONT HUB	



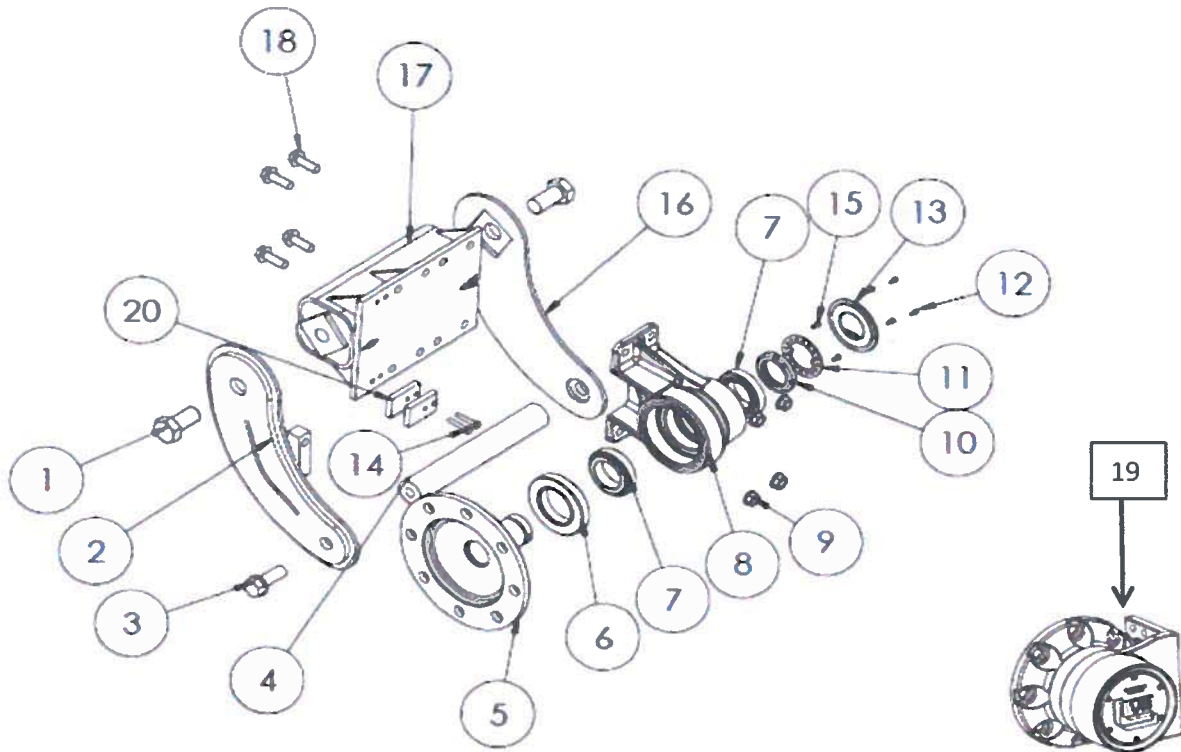
IMPORTANT NOTE: Front hubs that are on 50+ VTS units with a serial number of 30000 or higher can be rebuilt and parts are available. VTS units with a serial number of 29999 or less, will have to order new hubs, parts are not available. See contents page for additional notes.

VTS 50+ BOBCAT LH FRONT HUB ASSEMBLY

FOR BOBCAT VTS 50+ MODELS ONLY

Rev.060112

REF:NO.	PART NUMBER	QTY	DESCRIPTION		
1	400665	2	BOLT, 1" -14UNC X 2.00" GRD. 8 PLATED	TORQUE AT 750 FT/LBS	
2	500302	1	RIGHT TORSION ARM W/UPSTOP BLOCK		
3	PD5210-2CP	2	BOLT, 3/4"-10UNC X 2.00" GRD. 8 PLATED	TORQUE AT 376 FT/LBS	
4	401300	1	SHAFT, SUSPENSION, 11.18" LG.		
5	401276	1	SPINDLE, WHEEL FRONT		
6	401270	1	SEAL, SPINDLE		
7	401267	2	BEARING, SINGLE ROW TAPER ROLLER		
8	NSS	1	ASSY., HUB W/RUBBER INJECTED		
9	PH5170-4CP	4	NUT, FLANGE, LOCK, 1/2"-13UNC GRD. 8 PLATED		
10	401272	1	NUT, LOCKING		
11	401428	1	WASHER, LOCK		
12	401275	4	SCREW, SKT HD CAP 6-32 X .375		
13	402402	1	COVER, DUST		
14	PD0130-1.25CP	2	BOLT, 1/4"-20UNC X 1.25" GRD. 8 PLATED		
15	PDF110-0.5CP	2	SCREW, FLAT HD SKT CAP 10-32 X 0.5		
16	500503	1	LEFT TORSION ARM		
17	500327	1	TORSION TUBE, 11.18" LONG		
18	PD5170-1.5CP	4	BOLT, FLANGE 1/2"-13UNC X 1.25" GRD. 8 PLATED	TORQUE AT 211 FT/LBS	
19	600782	1	ASSY., FRONT LEFT HUB		
20	401301	2	UPSTOP PLATE		



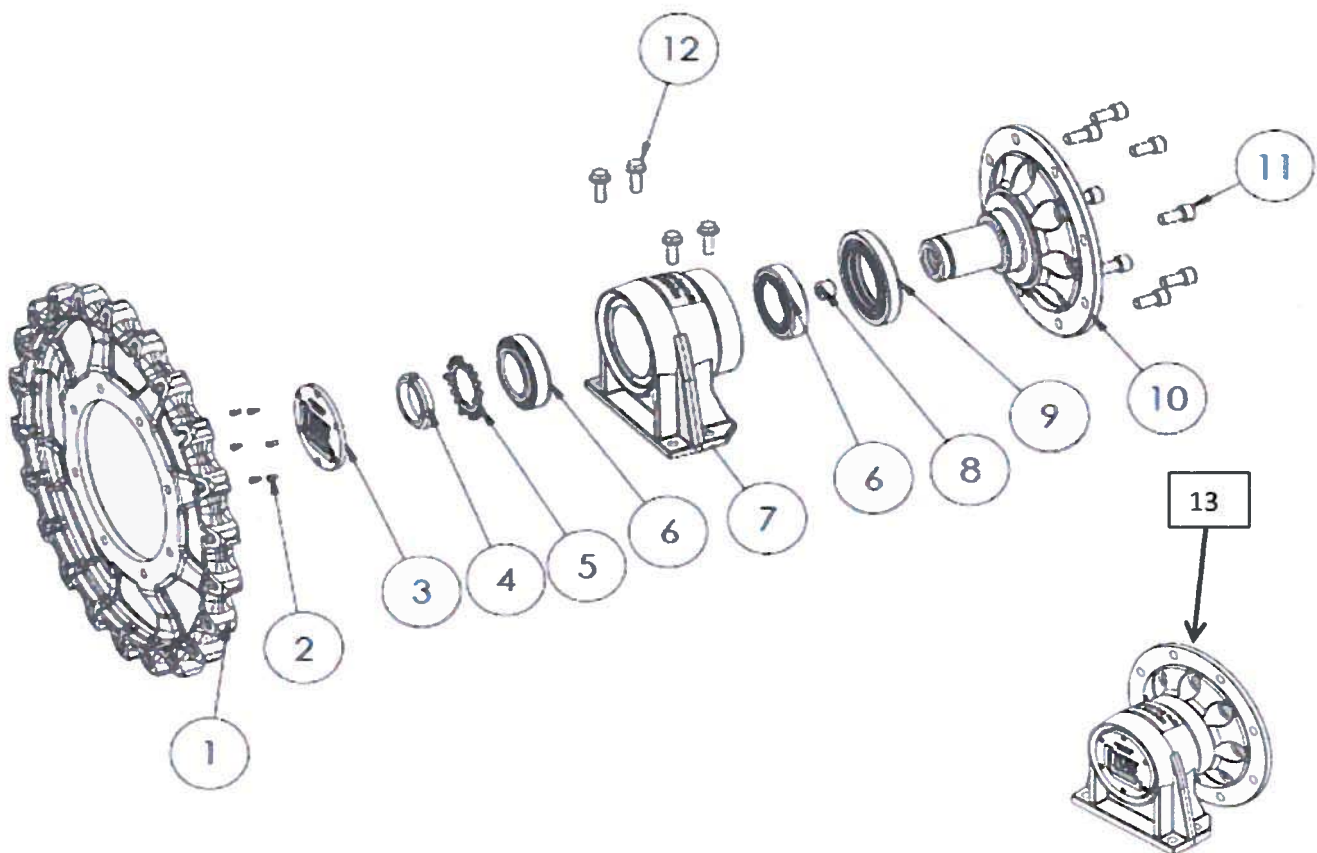
IMPORTANT NOTE: Front hubs that are on 50+ VTS units with a serial number of 30000 or higher can be rebuilt and parts are available. VTS units with a serial number of 29999 or less, will have to order new hubs, parts are not available. See contents page for additional notes.

VTS 50 + BOBCAT REAR HUB ASSEMBLY

FOR BOBCAT VTS 50+ MODELS ONLY

REV.060112

REF:NO.	PART NUMBER	QTY	DESCRIPTION			
1	401449	1	SPROCKET			
2	400518	6	SCREW, CAP 10-24 X .375			
3	402400	1	COVER, DUST			
4	400350	1	NUT, LOCK			
5	401447	1	WASHER, LOCK			
6	401398	2	BEARING, TAPERED ROLLER			
7	NSS	1	ASSY., REAR HUB BRACKET W/INJECTED RUBBER			
8	400656	1	SOCKET PIPE PLUG 3/4 X 3/4			
9	401132	1	SEAL, SPINDLE			
10	401125	1	SPINDLE, WHEEL-REAR			
11	41075	8	SCREW, SOCKET HD, 5/8"-11 X 1.25" GRD. 8 PLATED	TORQUE AT 211 FT/LBS		
12	PD5170-1.5CP	4	BOLT, FLANGE, 1/2"-13UNC X 1.50" GRD. 8 PLATED	TORQUE AT 211 FT/LBS		
13	601058	1	ASSY., REAR HUB			



IMPORTANT NOTE:

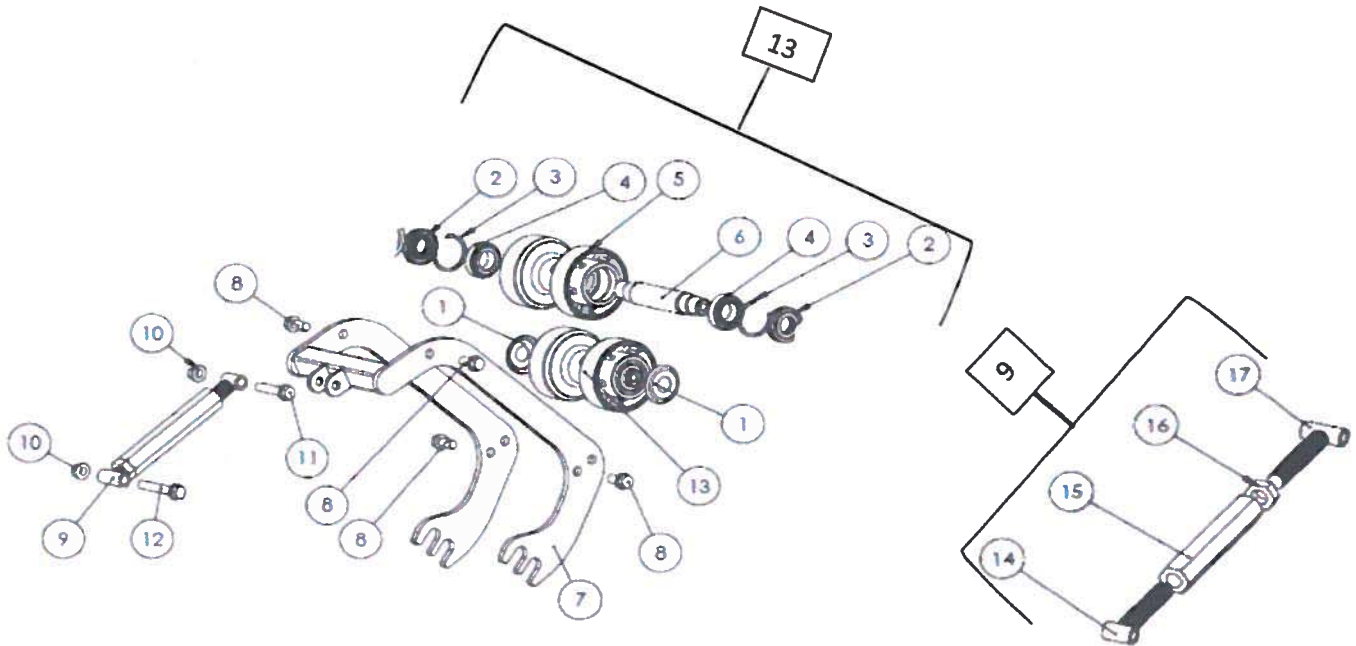
All hubs that are on 50+ VTS units with serial number 30000 or higher can be rebuilt and parts are available. VTS units with a serial number of 29999 or less, will have to order new hubs, parts are not available. Reference contents page for additional notes.

VTS 50+ BOBCAT TENSION ARM ASSEMBLY

FOR ALL VTS 50+ MODELS

REV.060112

REF:NO.	PART NUMBER	QTY	DESCRIPTION			
1	401391	4	DUST COVER			
2	401122	2	SEAL, IDLER/ROLLER			
3	401524	2	SNAP RING			
4	401109	2	BEARING, TAPERED ROLLER			
5	NSS	1	ROLLER, TENSION			
6	401390	1	SHAFT, TENSION			
7	500515	1	TENSION ARM			
8	PD5210-1.5CP	4	BOLT, FLANGE, 3/4"-10UNC X 1.50" GRD. 8 PLATED	TORQUE AT 376 FT/LBS		
9	600546	1	TURNBUCKLE ASSY.			
10	PH5210-4CP	2	NUT, FLANGE, LOCK 3/4"-10UNC GRD. 8 PLATED			
11	PD5210-3.5CP	1	BOLT, FLANGE, 3/4"-10UNC X 3.50" GRD. 8 PLATED	TORQUE AT 376 FT/LBS		
12	PD5210-4.5CP	1	BOLT 3/4"-10UNC X 4.50" GRD. 8 PLATED	TORQUE AT 376 FT/LBS		
13	600741	2	ASSY., TENSION ROLLER			
14	500286	1	TENSION ROD			
15	401309	1	SHAFT			
16	401310	1	NUT 1 1/4-7UNC			
17	600545	1	TENSION ROD			



IMPORTANT NOTE:

All rollers that are on 50+ VTS units with serial number 30000 or higher can be rebuilt and parts are available. VTS units with a serial number of 29999 or less will have to order new rollers, parts are not available. Reference contents page for additional notes.

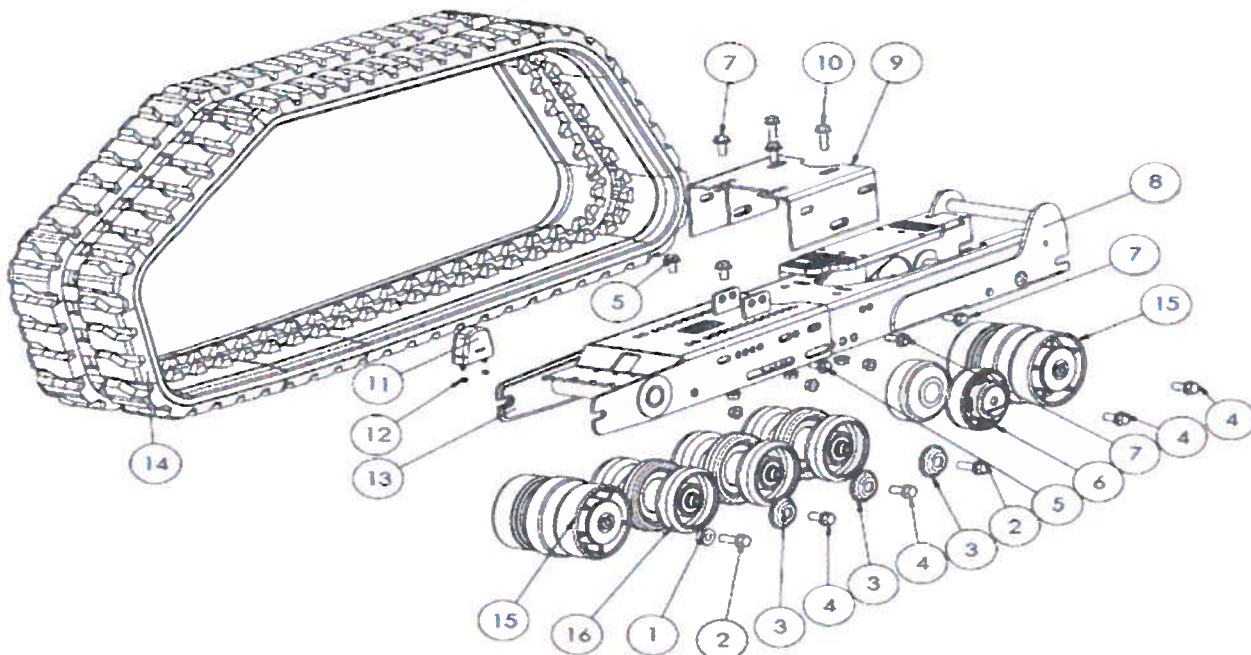
VTS 50+ BOBCAT TUNNEL ASSEMBLY

FOR ALL VTS 50+ MODELS (RH SHOWN)

REV.060112

REF:NO.	PART NUMBER	QTY	DESCRIPTION		
1	402169	2	TENSION ARM BUSHING		
2	PD5210-2CP	2	BOLT, FLANGE 3/4"-10UNC X 2.00", GRADE PLATED	TORQUE AT 376 FT/LBS	
3	401330	6	DUST COVER		
4	PD5210-1.5CP	8	BOLT, FLANGE 3/4"-10UNC X 1.50", GRADE PLATED	TORQUE AT 376 FT/LBS	
5	PD5190-1.5CP	8	BOLT, FLANGE, 5/8"-11UNC X 1.50" GRD. 8 PLATED	TORQUE AT 211 FT/LBS	
6	601817	2	BOGEY, SPLIT		
7	PD5190-2.00CP	2	BOLT, FLANGE, 5/8"-11UNC X 2.00" GRD. 8 PLATED	TORQUE AT 211 FT/LBS	
8	500329	1	RIGHT REAR TUNNEL (SHOWN)		
	500325	1	LEFT REAR TUNNEL		
9	601700	1	TUNNEL SUPPORT BRACKET		
10	PD5190-2.00CP	2	BOLT, FLANGE, 3/4"-10UNC X 2.00" GRD. 8 PLATED	TORQUE AT 211 FT/LBS	
11	600680	1	DOWN STOP, URETHANE 1.5" THICK		
12	PHT140-4CP	2	NUT, JAM, LOCKING 5/16"-18UNF		
13	500326	1	FRONT TUNNEL		
14	401363	1	TRACK, RUBBER, 50 LINK 12" WIDE		
	401767	1	TRACK, RUBBER, 51 LINK 12" WIDE		
	401362	1	TRACK, RUBBER, 52 LINK 12" WIDE		
	401361	1	TRACK, RUBBER, 54 LINK 12" WIDE		
	401360	1	TRACK, RUBBER, 56 LINK 12" WIDE		
	401364	1	TRACK, RUBBER, 50 LINK 15" WIDE		
	401347	1	TRACK, RUBBER, 52 LINK 15" WIDE		
	401346	1	TRACK, RUBBER, 54 LINK 15" WIDE		
	401345	1	TRACK, RUBBER, 56 LINK 15" WIDE		
15	601493	2	IDLER ASSY.		
16	600549	3	BOGIE ASSY.		

NOTE: The 601700 support brackets are only needed on VTS 50+ assemblies if the tunnel is in position 17, 18 and 19.

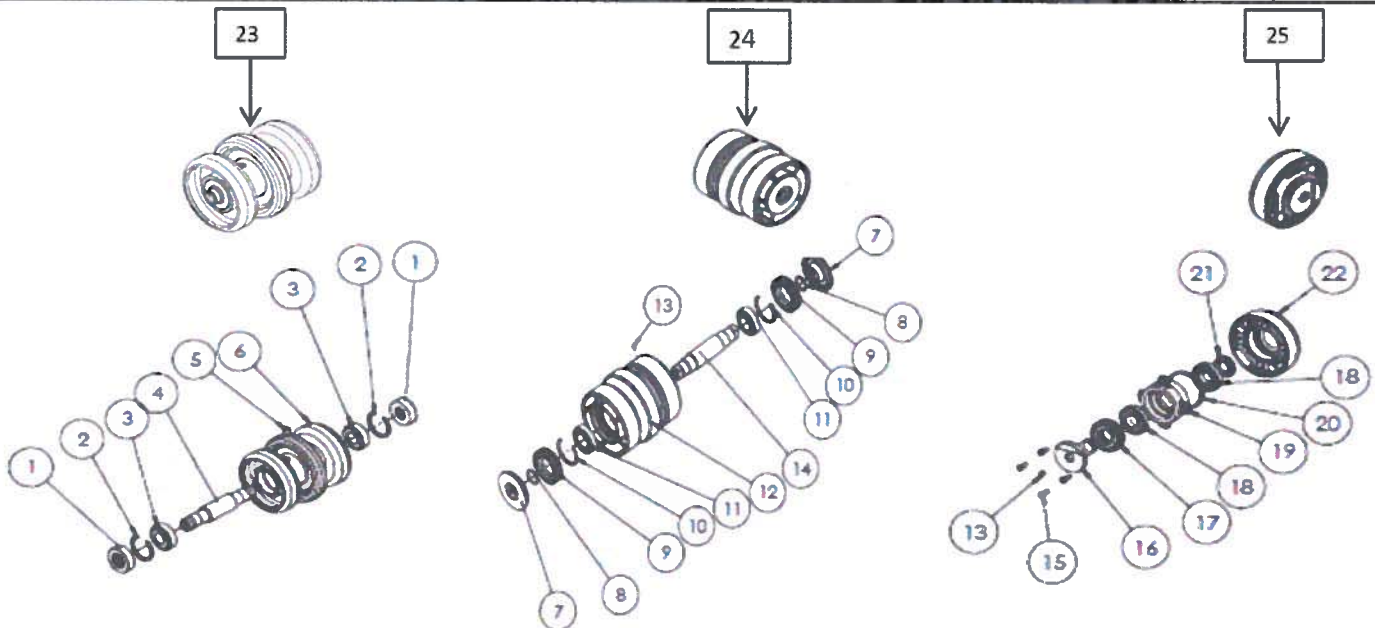


VTS 50+ BOBCAT TUNNEL IDLER AND BOGIE ASSEMBLY

FOR ALL VTS 50+ MODELS

REV.060112

REF:NO.	PART NUMBER	QTY	DESCRIPTION
1	401325	2	SEAL, AP1TCY, 34 X 72 X 23.5
2	401322	2	SNAP RING
3	401323	2	BEARING, ROLLER
4	401329	1	SHAFT, BOGEY
5	401319	1	SOCKET SET SCREW
6	NSS	1	WELDMENT, BOGIE
7	402209	2	RETAINER, SEAL
8	402210	2	O-RING , 38.7MM ID, 3.55MM CROSS SECT.
9	402179	2	SEAL, 73MM, DUAL CONE
10	401524	2	SNAP RING
11	401109	2	BEARING, TAPERED ROLLER
12	NSS	1	BOGIE
13	402546	2	SOCKET SET SCREW, 5/8-11 WITH 5/16 HEX
14	402321	1	SHAFT, BOGIE
15	PDF140-1CP	4	SCREW, FLT HD SKT CAP 5/16-18 X 1"
16	402945	1	SHAFT, SPLIT BOGIE
17	401122	1	SEAL, IDLER/ROLLER
18	401149	2	BEARING, TAPERED ROLLER
19	401914	1	TUBE, MAIN SPLIT BOGEY
20	401916	1	O-RING
21	400736	1	NUT, LOCK
22	NSS	1	BOGIE, SMALL SPLIT
23	600549	3	BOGIE ASSEMBLY
24	601493	2	IDLER ASSEMBLY
25	601817	2	SPLIT BOGIE ASSEMBLY



IMPORTANT NOTE: Idler, bogey and split bogies that are on a 50+ VTS units with a serial number of 30000 or higher can be rebuilt and parts are available. VTS units with a serial number of 29999 or less, will have to order new parts