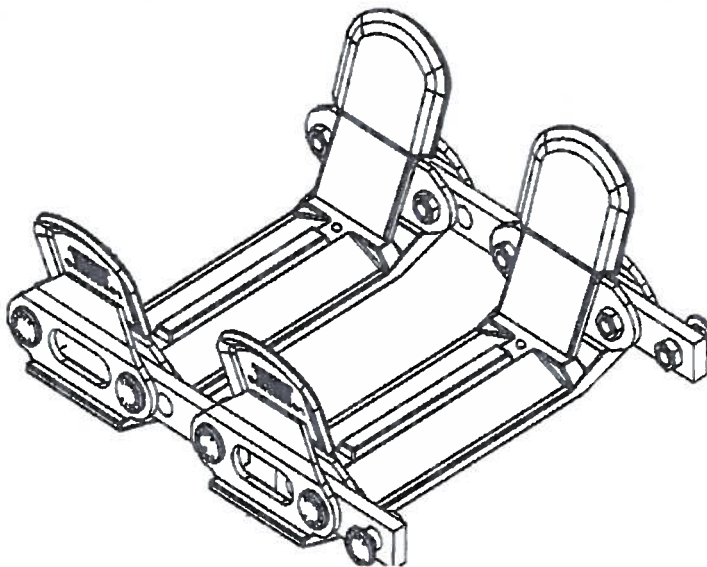




# F SERIES

## Steel Track



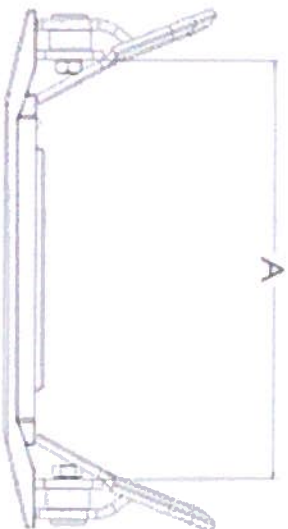
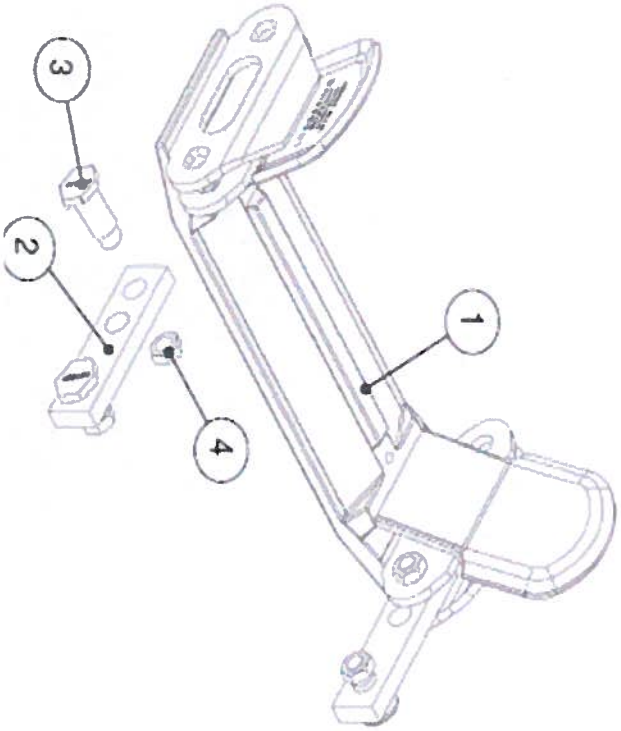
## *F Series Parts List*

<i>Part Number</i>	<i>Description</i>
FM103-11.1A	Pad (only) For 10.00x16.5 tire
FM103-12.5A	Pad (only) For 12.00x16.5 tire
FM103H-12.5A	Pad (only) Heavy Duty For 12.00x16.5 tire
FM103-13.2A	Pad (only) For 12.00x16.5 HD2000 tire
FM103H-13.7A	Pad (only) Heavy Duty For 14.00x17.5 tire
FM103H-15.5A	Pad (only) Heavy Duty For 15.5x16.5 tire
FM301	Link, Regular, Standard (1/2" thick)
FM302	Link, Regular, Heavy Duty (5/8" thick)
FM403	Link, Adjuster Standard, Assembled
FM413	Link, Adjuster, Heavy Duty, Assembled
PD0161-1CP-20	Bolt, 7/16 -20UNF x 1" Gr.8 Plated
PH0161-1CP-20	Nut, 7/16 - 20UNF Gr.8 Plated
FM401	Link, Adjuster, Standard
FM415	Link, Adjuster, Heavy Duty
FM423	Link, 3 Hole, Standard, Tapered Ends (1/2" thick)
FM422	Link, 3 Hole, Heavy Duty, Tapered Ends (5/8" thick)
FM425	Link, 3 Hole, Standard, 90° Ends (1/2" thick)
FM424	Link, 3 Hole, Heavy Duty, 90° Ends (5/8" thick)
400660	Pin, Standard. "Dura Pin"
400670	Pin, Heavy Duty "Dura Pin"
PH0171-5CP	Nut, Jam, ½ -20UNF Gr. 8 Plated w / Nyloc

## ACCESSORIES

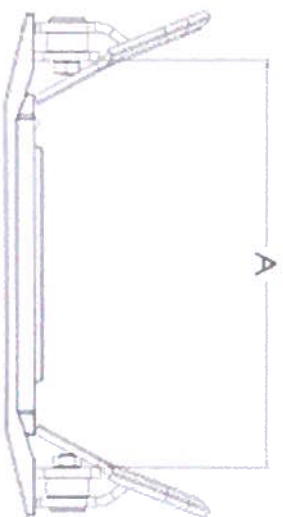
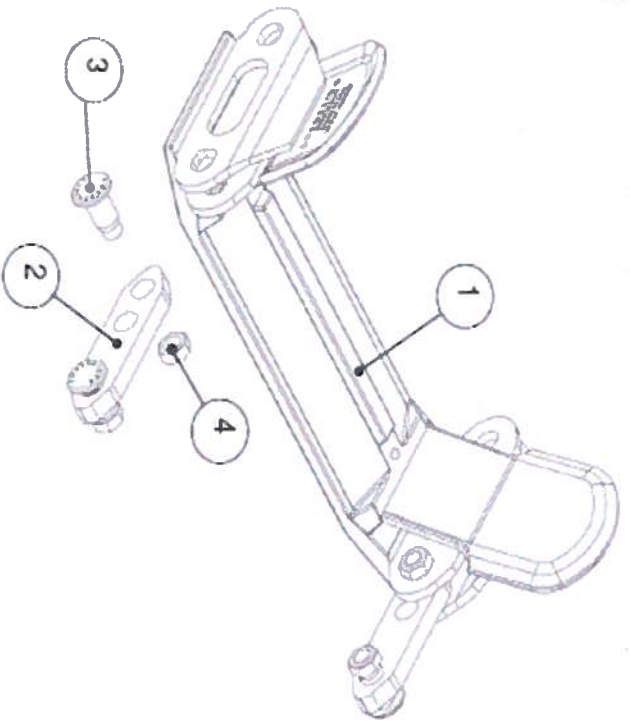
Part Number	Description	Wt #
<b>Installation Tools</b>		
YN601	Installation Tool - F (Trail Blazer Series) & N Series	
S014	Installation Tool - SF (Soft Bottom) & Z Series	
<b>Boom Stops</b>		
LN801	3/4" Boom Stop	
LN802	1" Boom Stop (553 Bobcat)	
LN803	5/16" Boom Stop (940 Mustang)	
LN805	1" Boom Stop (Cat)	
LN806	1" Boom Stop (Daewoo)	
LN807	1" Boom Stop (Thomas, two required per machine)	
LN808	1" Boom Stop (Gehl & Mustang)	
LN811	Gusset Guards (773F Bobcat)	
<b>Wheel Spacers</b>		
SN0401-8.75-0	1/4"-10 hole, 8 3/4" bolt circle, no studs	
SN0403-8.75-0	3/4"-10 hole, 8 3/4" bolt circle, no studs	
SN1201-6.0-0	1/2"-6 hole, 6" bolt circle, no studs	
SN1301-8.0-0	1/2"-8 hole, 8" bolt circle, no studs	
SN2101-4.5-1	1"-5 hole, 4 1/2" bolt circle, 7/16" X 1 7/16th studs (Inc.nuts)	
SN2302-8.0-1	1"-8 hole, 8" bolt circle, 9/16" x 1-7/8" studs (Inc. nuts)	
SN2401-11.25-0	1"-10 hole, 11 1/4" bolt circle	
SN5203-6.0-1	1.5"-6 hole, 6" bolt circle 9/16"x1 7/8" studs, 4 5/8" collar (Inc.nuts)	
SN5203-6.0-3	1.5"-6 hole, 6" bolt circle 1/2"x1 7/8" studs, 4 5/8" collar (Inc. nuts)	
SN5255-6.0-1	1.5"-6 hole, 6" bolt circle 9/16"x1 7/8" studs, 4 1/2" collar (Inc. nuts)	
SN5302-8.0-1	1.5"-8 hole, 8" bolt circle, 9/16"x1 7/8" studs (Inc. nuts)	
SN5302-8.0-4	1.5"-8 hole, 8" bolt circle, 5/8"x1 7/8" studs (Inc. nuts)	
SN5401-8.5-1	1.5"-10 hole, 8 1/2" bolt circle, 9/16"x1 7/8" studs (Inc. nuts)	
SN6203-6.0-1	2"-6 hole, 6" bolt circle, 9/16"x1 7/8" studs (Inc.nuts)	
SN6302-8.0-1	2"-8 hole, 8" bolt circle, 9/16"x1 7/8" studs (Inc. nuts)	
SN6302-8.0-4	2"-8 hole, 8" bolt circle, 5/8"x1 7/8" studs (Inc. nuts)	
SN6302-8.0-5	2"-8 hole, 8" bolt circle, 5/8"x1 7/8" studs w/ flange nuts	
SN6302-8.0-7	2"-8 hole, 8" bolt circle, 5/8"x2 1/4" studs (Inc. nuts)	
SN6303-10.75-1	2"-8 hole, 10.75" bolt circle, 9/16"x 1-7/8" studs (Inc. nuts)	
SN7301-8.0-4	2.5"-8 hole, 5/8" x 1 7/8" studs (Inc. nuts)	
SN7301-8.0-5	2.5"-8 hole, 5/8" x 1 7/8" stud w/ flange nuts	
SN7301-8.0-1	2.5"-8 hole, 9/16" x 1 7/8" studs (Inc. nuts)	
<b>Wheel Studs</b>		
PI0181-1.625C	9/16"x1 5/8" NF Grade 8	
PI0181-1.875C	9/16"x1 7/8" NF Grade 8 - Individual pieces	
PI0181-2.25C	9/16"x2 1/4" NF Grade 8 - Individual pieces	
PI0191-1.875C	5/8" x 1 7/8" NF Grade 8 - Individual pieces	
PI0191-2.25C	5/8"x 2 1/4" NF Grade 8 - Individual pieces	
<b>Wheel Stud Nuts</b>		
PH0181-2BP	9/16" 18NF, 90 degree taper Grade 5 - Individual pieces	
PH0191-2BP	5/8" 18NF, 90 degree taper Grade 5 - Individual pieces	
PH0191-6CP	5/8" Flange nut Grade 8 (Case XT's) - Individual pieces	
SN2402-11.25-1	3/4" Reach Nut, (963 Bobcat)-(40 needed per machine)	
402044	5/8" 18NF Large Nut for S330 Bobcat Spacer - Individual pieces	

**F SERIES TRACKS**  
**1-14-02 TO CURRENT**



**F SERIES PARTS**  
**1-14-02 TO CURRENT**

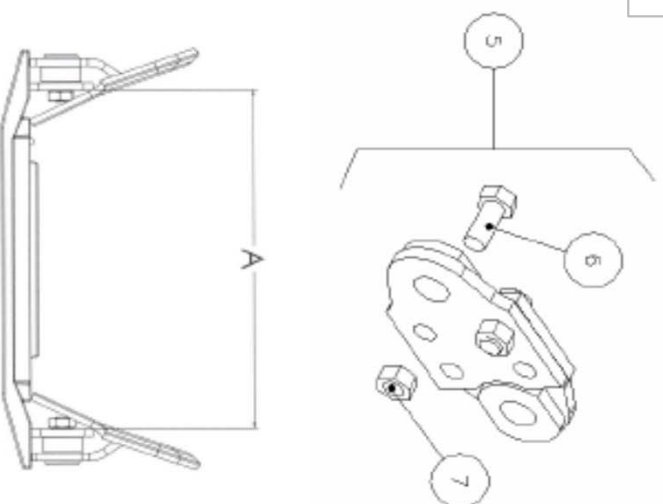
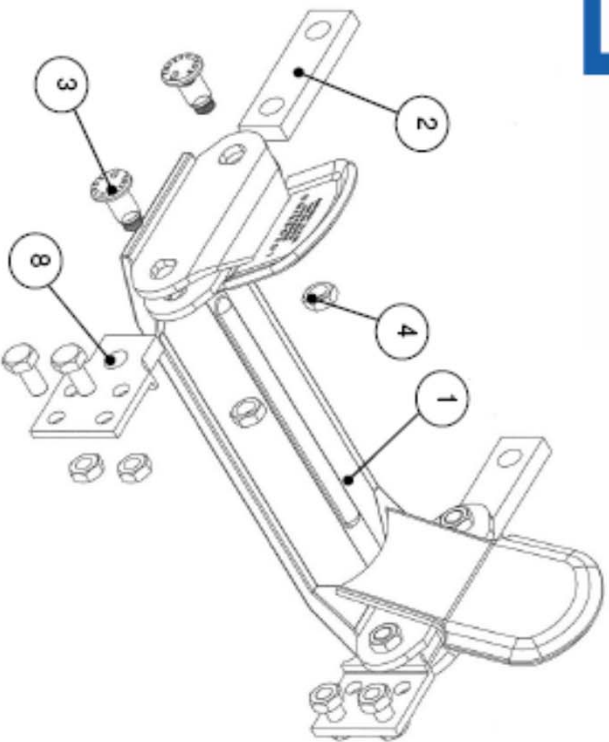
ITEM	PART NUMBER	DESCRIPTION
A	<b>MEASURE PAD AT THE "A" TO DETERMINE PAD WIDTHH (i.e. 11 1/8 = FN103-11.1A</b>	
	FM103-11.1A	Pad for 10.00 x 16.5 Tire (11 1/8 at "A")
	FM103-12.5A	Pad for 12.00 x 16.5 Tire (12 1/2 at "A")
	FM103-13.2A	Pad for 12.00 x 16.5HD2000 (13 1/4 at "A")
1	FM103-13.7A	Pad for 14.00 x 17.5 Tire (13 3/4 at "A")
	FM103-15.5A	Pad for 15.5 x 16.5 Tire (15 1/2 at "A")
2	FM-425	Link, 3 Hole, Standard - 1/2" Thick
	FM424	Link, 3 Hole Heavy Duty - 5/8 x Thick
3	400660	Pin, Standard, Dura Pin 5/8 x 1 1/2 Long
	400670	Pin, Heavy Duty, Dura Pin 5/8 x 1 5/8 Long
4	PH0171-5CP	Nut, Jam 1/2 - 20 UNF Gr. 8 Plated w/ Nyloc



**F SERIES PARTS**  
4-5-01 TO 1-14-02

ITEM	PART NUMBER	DESCRIPTION
A	<b>MEASURE PAD AT THE "A" TO DETERMINE PAD WIDTH (ie. 11 1/8 = FN103-11.1A)</b>	
	FM103-11.1A	Pad for 10.00 x 16.5 Tire (11 1/8 at "A")
	FM103-12.5A	Pad for 12.00 x 16.5 Tire (12 1/2 at "A")
	1	FM103-13.2A
	FM103-13.7A	Pad for 14.00 x 17.5 Tire (13 3/4 at "A")
	FM103-15.5A	Pad for 15.5 x 16.5 Tire (15 1/2 at "A")
2	FM423	Link, 3 hole, Standard - 1/2" Thick
3	<b>PN625A1075</b>	Pin, Standard, Dura Pin 5/8 x 1 1/2 Long <b>PART NUMBER CHANGED TO 400660</b>
4	PH0171-5CP	Nut, Jam 1/2 - 20 UNF Gr. 8 Plated w/ Nyloc

**F SERIES (TRAIL BLAZERS)**  
**9-1-00 TO 4-5-01**



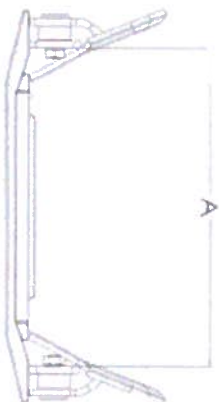
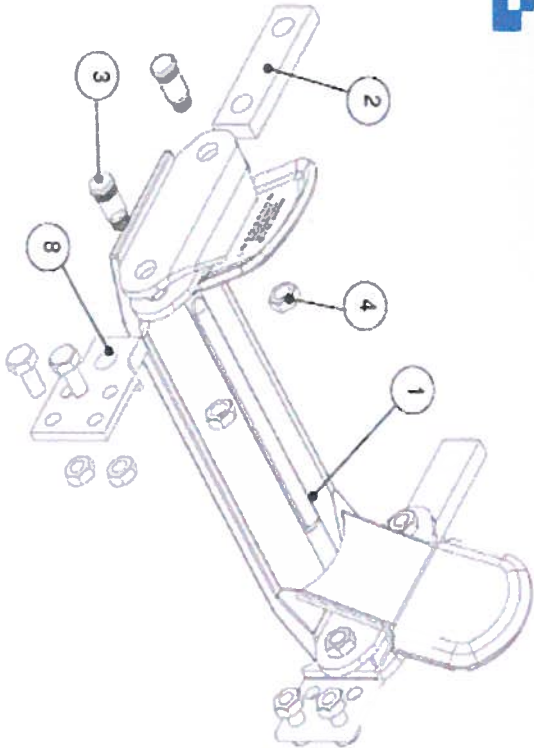
**F SERIES PARTS**

9-1-00 TO 4-5-01

ITEM	PART NUMBER	DESCRIPTION
<b>A</b>	<b>MEASURE PAD AT THE "A" TO DETERMINE PAD WIDTH (ie. 11 1/8 = FN103-11.1A</b>	
	FM103-11.1A	Pad for 10.00 x 16.5 Tire (11 1/8 at "A")
	FM103-12.5A	Pad for 12.00 x 16.5 Tire (12 1/2 at "A")
<b>1</b>	FM103-13.2A	Pad for 12.00 x 16.5HD2000 Tire (13 1/4 at "A")
	FM103H-13.7A	Pad for 14.00 x 17.5 Tire (13 3/4 at "A")
	FM103H-15.5A	Pad for 15.5 x 16.5 Tire (15 1/2 at "A")
<b>2</b>	FM301	Link, 2 hole, Standard - 1/2" Thick
<b>3</b>	<b>PN6255A1075</b>	Pin, Standard, Dura Pin 5/8 x 1 1/2 Long <b>PART NUMBER CHANGED TO 400660</b>
<b>4</b>	PH0171-5CP	Nut, Jam 1/2 - 20 UNF Gr. 8 Plated w/ Nylloc
<b>5</b>	FM403	Link, Adjuster, Standard Assembly
<b>6</b>	PD0161-1CP	Bolt, 7/16 - 20UNF x 1" Gr. 8 Plated
<b>7</b>	PH0161-1CP	Nut, 7/16 - 20UNF Gr. 8 Plated
<b>8</b>	FM401	Link, Adjuster, Standard



# TRAIL BLAZERS 5-1-96 TO 9-1-00



## F SERIES PARTS 5-1-96 TO 9-1-00

ITEM	PART NUMBER	DESCRIPTION
A	MEASURE PAD AT THE "A" TO DETERMINE PAD WIDTH (i.e. 11 1/8 = FN103-11.1A)	
	FN103-11.1A	Pad for 10.00 x 16.5 Tire (11 1/8 at "A") NO LONGER AVAILABLE
	FN103-12.5A	Pad for 12.00 x 16.5 Tire (12 1/2 at "A") NO LONGER AVAILABLE
1	FN103-13.2A	Pad for 12.00 x 16.5HD2000 Tire 13 1/4 at "A") NO LONGER AVAILABLE
	FN103-13.7A	Pad for 14.00 x 17.5 Tire (13 3/4 at "A") NO LONGER AVAILABLE
	FN103-15.5A	Pad for 15.5 x 16.5 Tire (15 1/2 at "A") NO LONGER AVAILABLE
2	FM301	Link, 2 hole, Standard - 1/2" Thick SERVICE PARTS ARE AVAILABLE
3	PN625B1035	THIS QUICK PIN IS OBSOLETE AND REPLACED BY PART NUMBER "KN501"
4	PH0171-5CP	Nut, Jam 1/2 - 20 UNF Gr. 8 Plated w/ Nyloc
5	FM403	Link, Adjuster, Standard Assembly
6	PD0161-1CP	Bolt, 7/16 - 20UNF x 1" Gr. 8 Plated
7	PH0161-1CP	Nut, 7/16 - 20UNF Gr. 8 Plated
8	FM401	Link, Adjuster, Standard

NOTE: THE FN103H-13.7A AND FN103H-15.5A HEAVY DUTY PADS ARE NO LONGER AVAILABLE