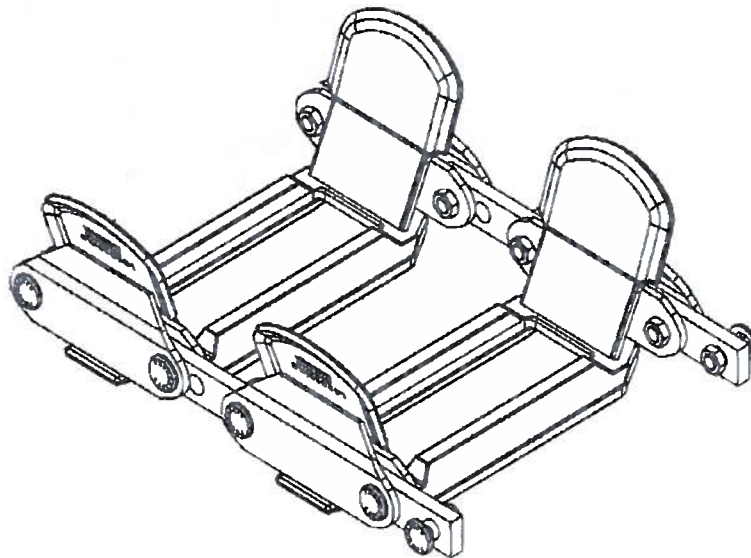




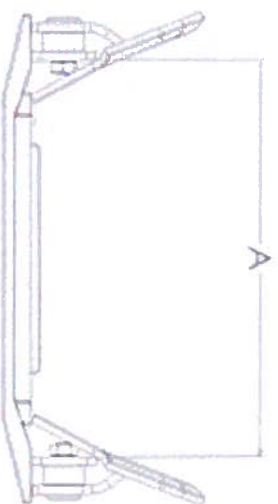
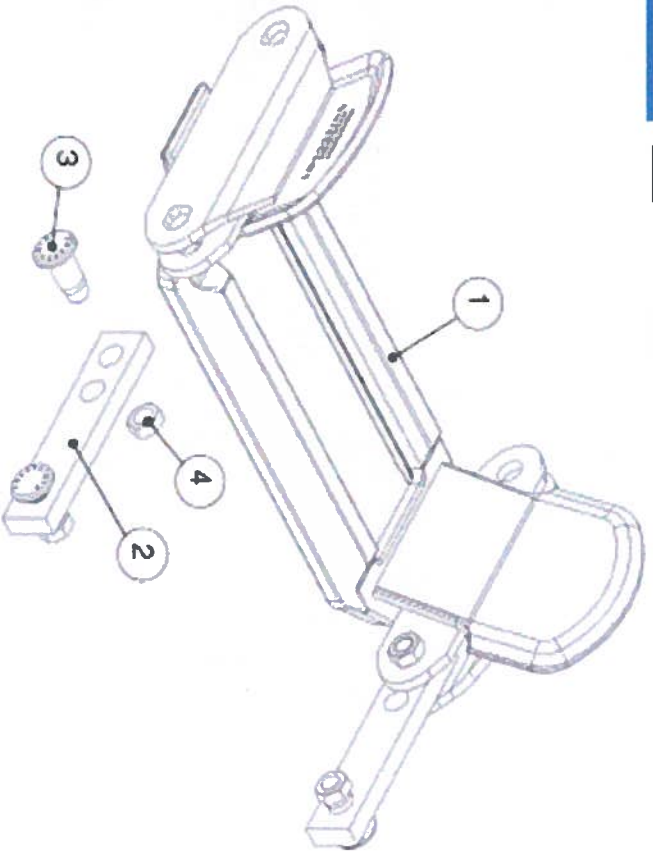
Z SERIES STEEL TRACK



Z Series Parts Price List

<i>Part #</i>	<i>Description</i>	<i>Wt.#</i>
500015	Pad (only) 11.1, For 10.00 x 16.5 Tire	17
500022	Pad (only) 12.5, For 12.00 x 16.5 Tire	19
500028	Pad (only) 12.5, Heavy Duty, For 12.00 x 16.5 Tire	19
500023	Pad (only) 13.2 For 12.00 x 16.5 HD2000 Tire	20
500029	Pad (only) 13.2, Heavy Duty, For 12.00 x 16.5 HD2000 Tire	20
500030	Pad (only) 13.7, Heavy Duty For 14.00 x 17.5 Tire	21
500031	Pad (only) 15.5, Heavy Duty For 15.5 x 16.5 Tire	24
FM425	Link, 3 Hole, Standard, (½" x 1¼" x 4 ¼")	9
FM424	Link, 3 Hole, Heavy Duty, (5/8" x 1¼" x 4 ¼")	9
400660	Pin, Standard, "Dura Pin"	4
400670	Pin, Heavy Duty, "Dura Pin"	4
PH0171-5CP	Nut, Jam, ½-20UNF Gr. 8 Plated w/Nyloc	1

Z SERIES TRACKS



Z SERIES PARTS 9-1-03 TO CURRENT

ITEM	PART NUMBER	DESCRIPTION
A	MEASURE PAD AT THE "A" TO DETERMINE PAD WIDTH (i.e. 11 1/8 = FM103-11.1A)	
	500015	11.1 Pad for 10.00 x 16.5 Tire (11 1/8 at "A")
1	500022	12.5 Pad for 12.00 x 16.5 Tire (12 1/2 at "A")
	500028	12.5 Heavy Duty Pad for 12.00 x 16.5 Tire (12 1/2 at "A")
	500023	13.2 Pad for 12.00 x 16.5 HD2000 Tire (13 1/4 at "A")
	500029	13.2 Heavy Duty Pad for 12.00 x 16.5 Tire (13 1/4 at "A")
	500030	13.7 Heavy Duty Pad for 14.00 x 17.5 Tire (13 3/4 at "A")
	500031	15.5 Heavy Duty Pad for 15.5 x 16.5 Tire (15 1/2 at "A")
	500031	15.5 Heavy Duty Pad for 15.5 x 16.5 Tire (15 1/2 at "A")
2	FMA425	Link, 3 Hole, Standard - 1/2" Thick
	FMA424	Link, 3 Hole Heavy Duty - 5/8 x Thick
3	400660	Pin, Standard, Dura Pin 5/8 x 1 1/2 Long
	400670	Pin, Heavy Duty, Dura Pin 5/8 x 1 5/8 Long
4	PH0171-5CP	Nut, Jam 1/2 - 20 UNF Gr. 8 Plated w/ Nyloc