



65+ VTS
Versatile Track System
FOR
BOBCAT ONLY

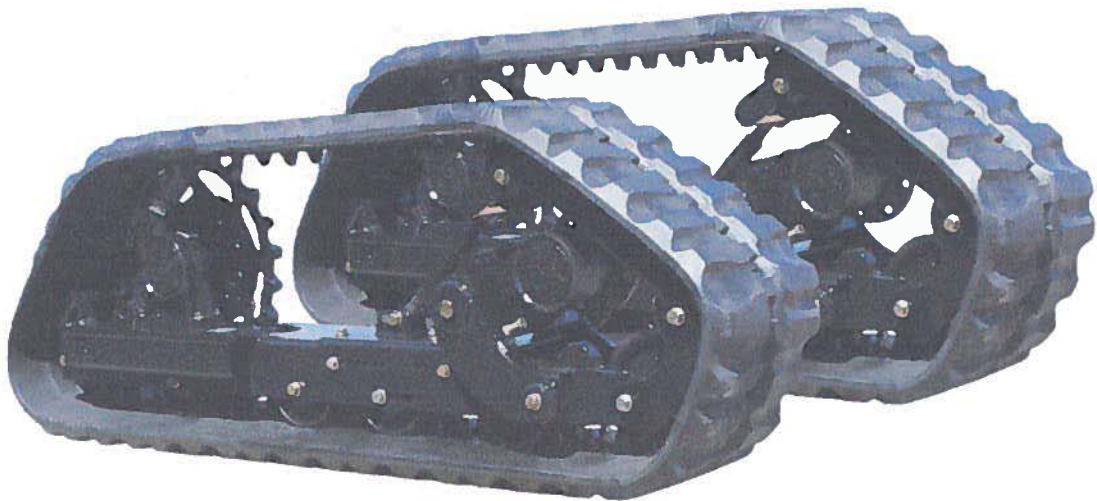


Table of Contents

VTS 65+ BOBCAT MODELS

- | | |
|----------------------------|---------|
| 1. RH Front Hub Assembly | Page 19 |
| 2. LH Front Hub Assembly | Page 20 |
| 3. Rear Hub Assembly | Page 21 |
| 4. Tension Arm Assembly | Page 22 |
| 5. Tunnel Assembly | Page 23 |
| 6. Tunnel Idler and Bogies | Page 24 |

ADDITIONAL NOTES

65+ VTS The 65+ VTS systems are Heavier assemblies for the large skid steers that have a horse power range of 65 to 85 horse power. These VTS only come with 18" wide tracks. The 65+ undercarriages are made of heavier gauge steel than the 50+ undercarriages.

REPLACING BEARINGS AND SEALS ON VTS

COMPONENT PARTS ARE AVAILABLE TO REBUILD HUBS,BOGEYS, SPLITS BOGEYS, TENSION ROLLERS AND IDLERS FROM SERIAL NUMBER 30000 TO CURRENT. COMPONENT PARTS ARE NOT AVAILABLE TO REBUILD HUBS,BOGEYS, SPLITS BOGEYS, TENSION ROLLERS AND IDLERS FROM SERIAL NUMBER 20000 TO 29999. WHEN REPLACING ROLLERS WITH THE METAL FACE SEALS CONTACT THE FACTORY FOR SPECIAL HANDLING INSTRUCTIONS.

IMPORTANT

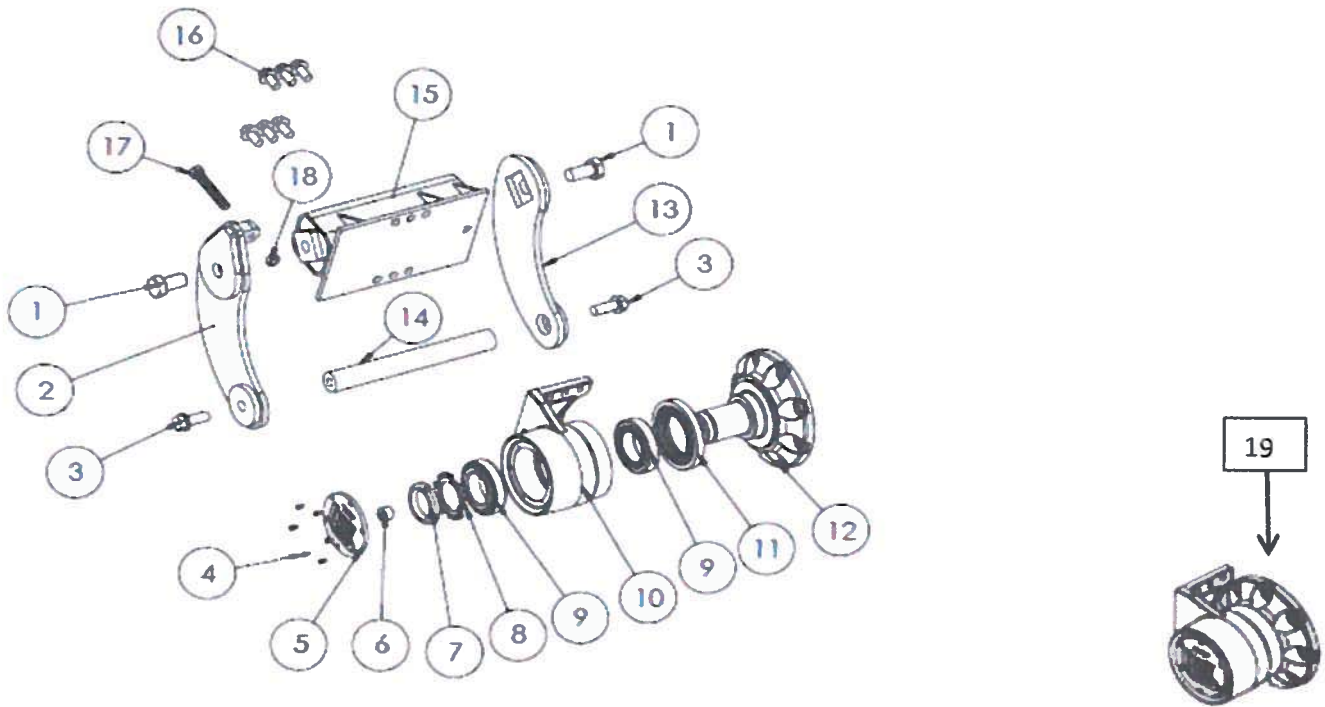
WHEN MOUNTING THE VTS TO THE MACHINE THE LUG NUTS NEED TO BE TORQUED AT 190 FT/LBS DO NOT TORQUE TO THE TIRE TORQUE RATING.

VTS 65+ BOBCAT RH FRONT HUB ASSEMBLY

FOR BOBCAT VTS 65+ MODELS ONLY

REV.060112

REF:NO.	PART NUMBER	QTY	DESCRIPTION			
1	400665	2	BOLT, 1-14UNC X 2.0" GRD. 8 PLATED	TORQUE AT 750 FT/LBS		
2	500518	1	TORSION ARM, RIGHT			
3	PD5210-2CP	2	BOLT, FLANGE, 3/4"-10UNC X 2.0" GRD. 8 PLATED	TORQUE AT 376 FT/LBS		
4	400518	6	SCREW,CAP 10-24 X .375			
5	400513	1	COVER, DUST			
6	400656	1	SOCKET PIPE PLUG 3/4 X 3/4			
7	400350	1	NUT, LOCK			
8	401447	1	WASHER,LOCK			
9	401398	2	BEARING , TAPERED ROLLER			
10	NSS	1	ASSY., FRONT HUB BRACKET W/ RUBBER INJECTION			
11	401132	1	SEAL, SPINDLE			
12	401124	1	SPINDLE, WHEEL-FRONT			
13	500055	1	TORSION ARM, LEFT			
14	400297	1	SHAFT, SUSPENSION			
15	500516	1	TORSION TUBE			
16	PD5190-1.25CP	6	BOLT, FLANGE, 5/8"-11UNC X 1.25" GRD. 8 PLATED	TORQUE AT 211 FT/LBS		
17	PD0190-4.5CP	1	BOLT, 5/8"-11NC X 4.5" GRD. 8 PLATED			
18	PH0190-1CP	1	NUT 5/8"-11UNC GRD. 8 PLATED			
19	600459	1	ASSY., HUB FRONT RIGHT			



IMPORTANT NOTE:

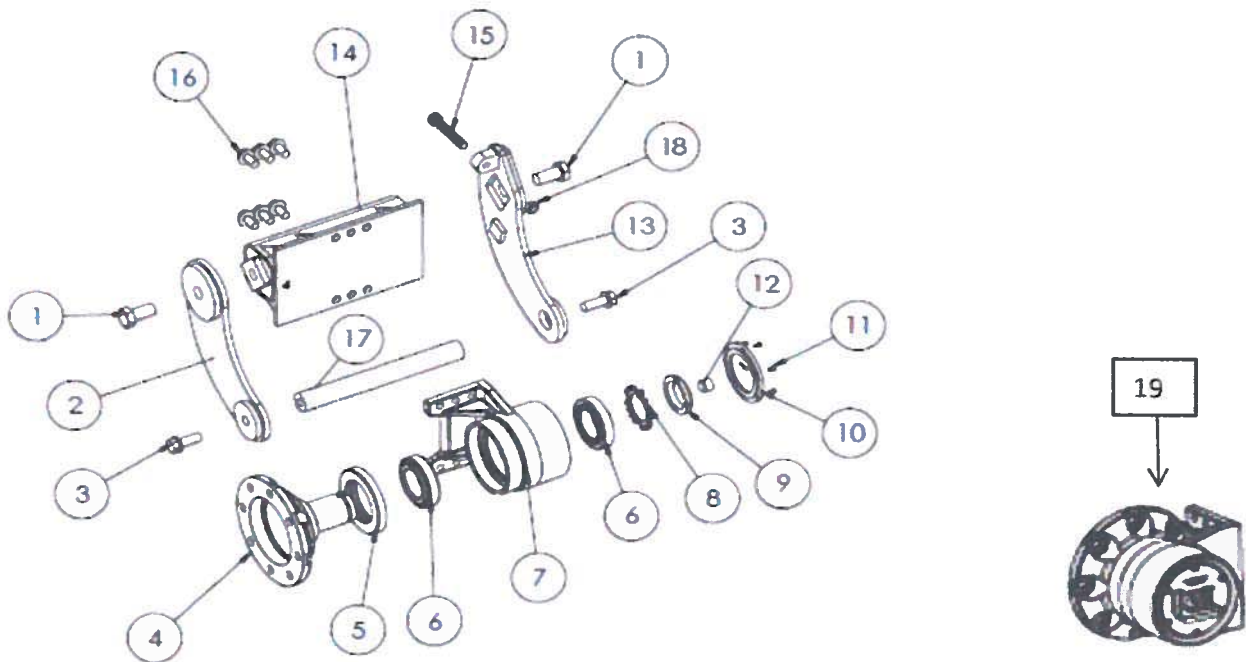
All hubs that are on 65+ VTS units with a serial number of 30000 or higher can be rebuilt and parts are available. VTS units with a serial number of 29999 or less, will have to order new hubs, parts are not available. Reference contents page for additional notes.

VTS 65+ BOBCAT LH FRONT HUB ASSEMBLY

FOR BOBCAT VTS 65+ MODELS ONLY

REV.060112

REF:NO.	PART NUMBER	QTY	DESCRIPTION			
1	400665	2	BOLT, 1-14UNC X 2.0" GRD. 8 PLATED		TORQUE AT 750 FT/LBS	
2	500054	1	TORSION ARM, RIGHT			
3	PD5210-2CP	2	BOLT, FLANGE, 3/4"-10UNC X 2.0" GRD. 8 PLATED		TORQUE AT 376 FT/LBS	
4	401124	1	SPINDLE, WHEEL FRONT			
5	401132	1	SEAL, SPINDLE			
6	401398	2	BEARING, TAPERED ROLLER			
7	NSS	1	ASSY., FRONT HUB RACKET W/RUBBER INJECTION			
8	401447	1	WASHER, LOCK			
9	400350	1	NUT, LOCK			
10	400513	1	COVER, DUST			
11	400518	6	SCREW, CAP 10-24 X .375			
12	400656	1	SOCKET PIPE PLUG 3/4 X 3/4			
13	500517	1	TORSION ARM, LEFT			
14	500516	1	TORSION TUBE			
15	PD0190-4.5CP	1	BOLT 5/8"-11UNC X 4.50" GRD. 8 PLATED			
16	PD5190-1.25CP	6	BOLT, FLANGE, 5/8"-11UNC X 1.25" GRD. 8 PLATED		TORQUE AT 211 FT/LBS	
17	400297	1	SHAFT, SUSPENSION			
18	PH0190-1CP	1	NUT 5/8"-11UNC GRD. 8 PLATED			
19	600460	1	ASSY., HUB FRONT LEFT			



IMPORTANT NOTE:

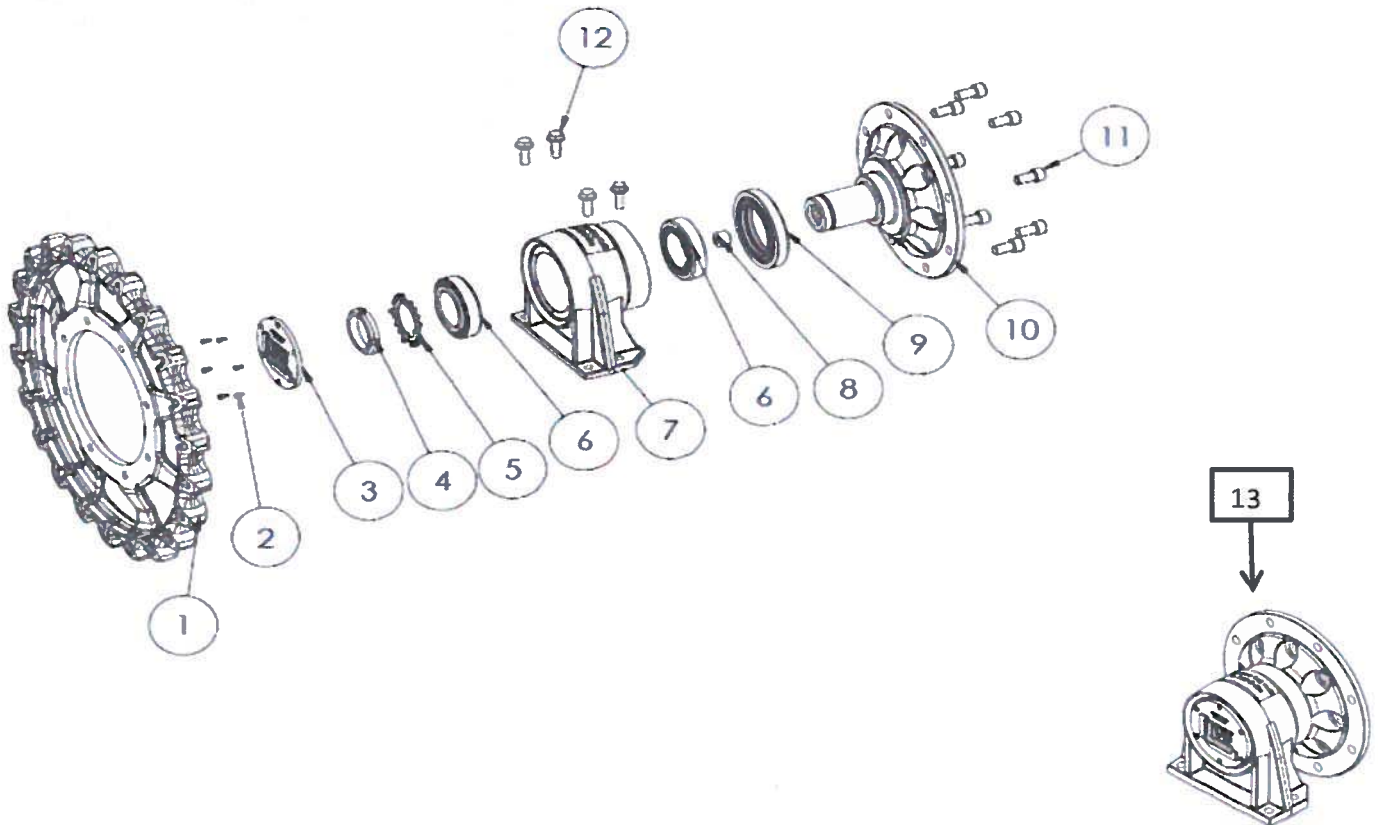
All hubs that are on 65+ VTS units with a serial number of 30000 or higher can be rebuilt and parts are available. VTS units with a serial number of 29999 or less, will have to order new hubs, parts are not available. Reference contents page for additional notes.

VTS 65 + BOBCAT REAR HUB ASSEMBLY

FOR BOBCAT VTS 65+ MODELS ONLY

Rev.060112

REF:NO.	PART NUMBER	QTY	DESCRIPTION			
1	401449	1	SPROCKET, 22 TOOTH			
2	400518	6	SCREW, CAP 10-24 X .375			
3	400513	1	COVER, DUST			
4	400350	1	NUT, LOCK			
5	401447	1	WASHER, LOCK			
6	401398	2	BEARING, TAPERED ROLLER			
7	NSS	1	ASSY., REAR HUB BRACKET W/INJECTED RUBBER			
8	400656	1	SOCKET PIPE PLUG 3/4 X 3/4			
9	401132	1	SEAL, SPINDLE			
10	401125	1	SPINDLE, WHEEL-REAR			
11	401075	8	SCREW, CAP 5/8"-11UNC X 1.25 GRD. 8 PLATED	TORQUE AT 211 FT/LBS		
12	PD5190-1.5CP	4	FLANGE BOLT, 5/8" -11UNC, GRADE 8 PLATEDD	TORQUE AT 211 FT/LBS		
13	600461	1	ASSY. REAR HUB			



IMPORTANT NOTE:

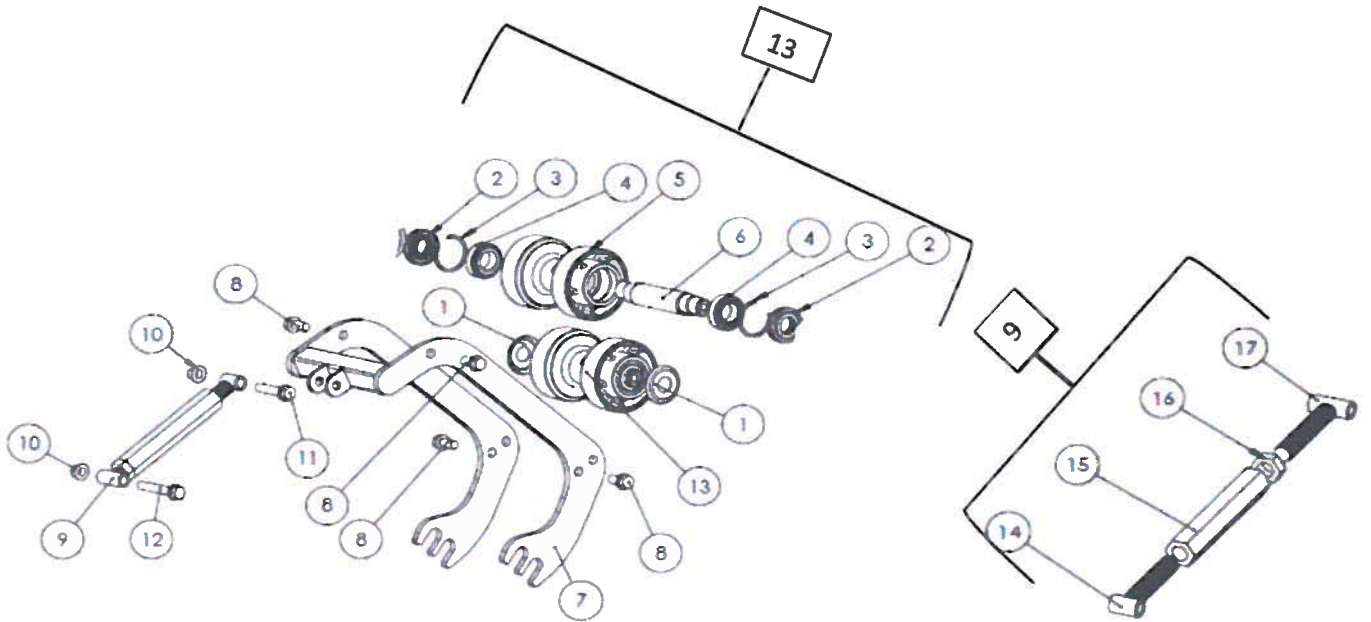
All hubs that are on 65+ units with a serial number of 30000 or higher can be rebuilt and parts are available. VTS units with a serial number of 29999 or less, will have to order new hubs, parts are not available. Reference contents page for additional notes.

VTS 65+ BOBCCAT TENSION ARM ASSEMBLY

FOR ALL VTS 65+ MODELS

REV.060112

REF:NO.	PART NUMBER	QTY	DESCRIPTION			
1	401118	4	COVER, DUST			
2	401122	2	SEAL, IDLER/ROLLER			
3	401524	2	SNAP RING			
4	401109	2	BEARING, TAPERED ROLLER			
5	NSS	1	ROLLER, TENSION			
6	401117	1	SHAFT, TENSION			
7	500514	1	TENSION ARM			
8	PD5210-1.5CP	4	BOLT, FLANGE, 3/4"-10UNC X 1.50" GRD. 8 PLATED	TORQUE AT 376 FT/LBS		
9	600546	1	TURNBUCKLE ASSY.			
10	PH5210-4CP	2	NUT, FLANGE, LOCK 3/4"-10UNC GRD. 8 PLATED			
11	PD5210-3.5CP	1	BOLT, FLANGE, 3/4"-10UNC X 3.50" GRD. 8 PLATED	TORQUE AT 376 FT/LBS		
12	PD5210-4.5CP	1	BOLT 3/4"-10UNC X 4.50" GRD. 8 PLATED	TORQUE AT 376 FT/LBS		
13	600456	2	ASSY., TENSION ROLLER			
14	500286	1	TENSION ROD			
15	401309	1	SHAFT			
16	401310	1	NUT 1 1/4-7UNC			
17	600545	1	TENSION ROD			



IMPORTANT NOTE:

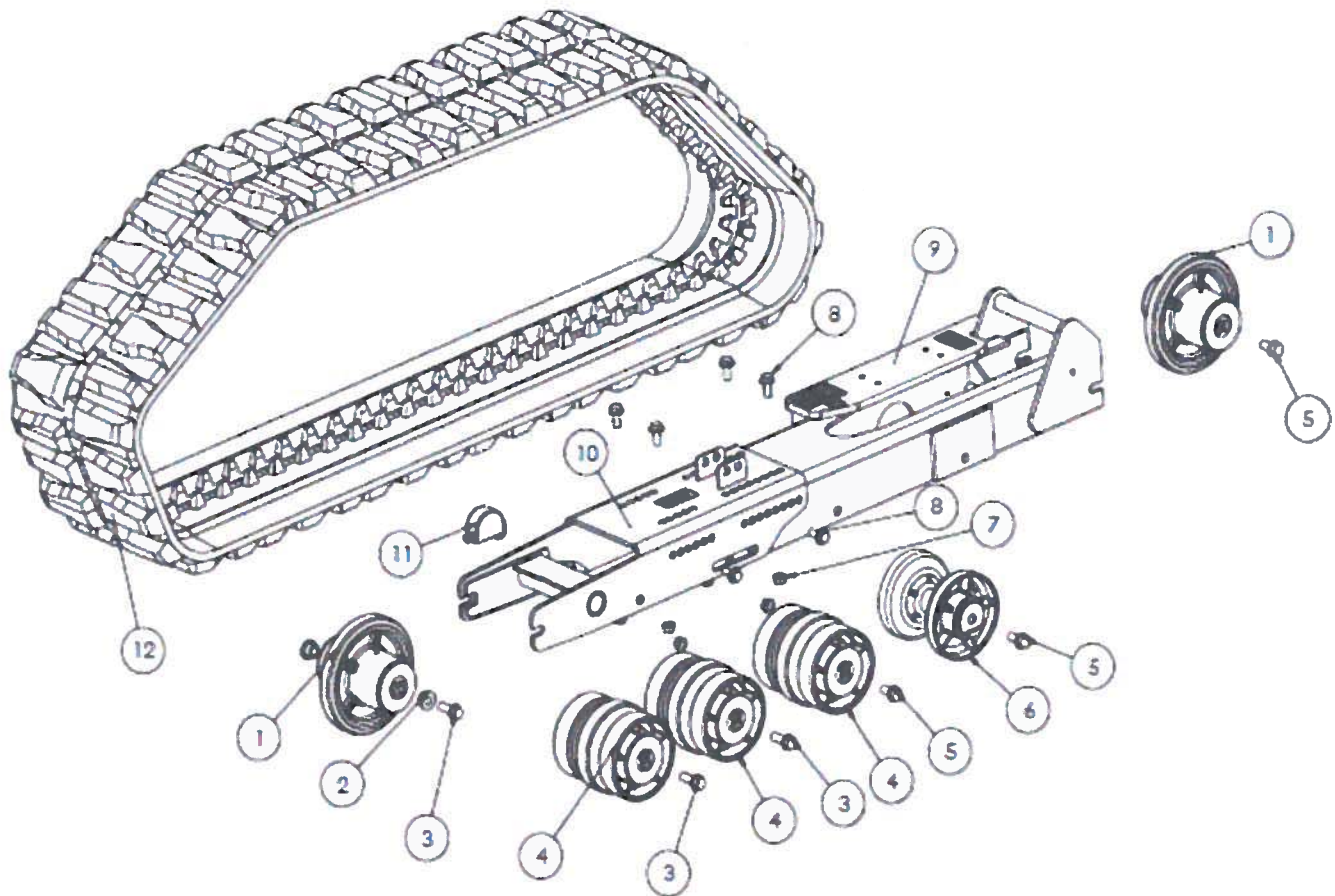
All rollers that are on 65+ VTS units with a serial number of 30000 or higher can be rebuilt and parts are available. VTS units with serial number of 29999 or less will have to order new hubs, parts are not available. Reference contents page for additional notes.

VTS 65+ BOBCAT TUNNEL ASSEMBLY

FOR BOBCAT VTS 65+ MODELS ONLY

REV.060112

REF:NO.	PART NUMBER	QTY	DESCRIPTION			
1	601475	2	ASSY., IDLER GUIDE			
2	402169	2	BUSHING 1" OD X .781" ID			
3	PD5210-2CP	6	BOLT, FLANGE, 3/4"-10UNC X 2.0" GRD. 8 PLATED	TORQUE AT 376 FT.LBS		
4	601462	3	ASSY., BOGIE			
5	PD5210-1.5CP	6	BOLT, FLANGE, 3/4"-10UNC X 1.5" GRD. 8 PLATED	TORQUE AT 376 FT.LBS		
6	601816	2	BOGIE, SPLIT			
7	PH5190-4CP	8	NUT, FLANGE, LOCK 5/8"-11UNC GRD. 8 PLATED			
8	PD5190-1.5CP	8	BOLT, FLANGE, 5/8"-11UNC X 1.5" GRD. 8 PLATED	TORQUE AT 211 FT.LBS		
9	500519	1	RIGHT REAR TUNNEL (SHOWN)			
	500349	1	LEFT REAR TUNNEL			
10	500294	1	RIGHT FRONT TUNNEL (SHOWN)			
	500293	1	LEFT FRONT TUNNEL			
11	600544	1	DOWN STOP ASSY.			
12	400285	1	TRACK, RUBBER, 56 LINK 18" WIDE			
	401338	1	TRACK, RUBBER, 58 LINK 18" WIDE			
	401087	1	TRACK, RUBBER, 59 LINK 18" WIDE			
	400527	1	TRACK, RUBBER, 60 LINK 18" WIDE			

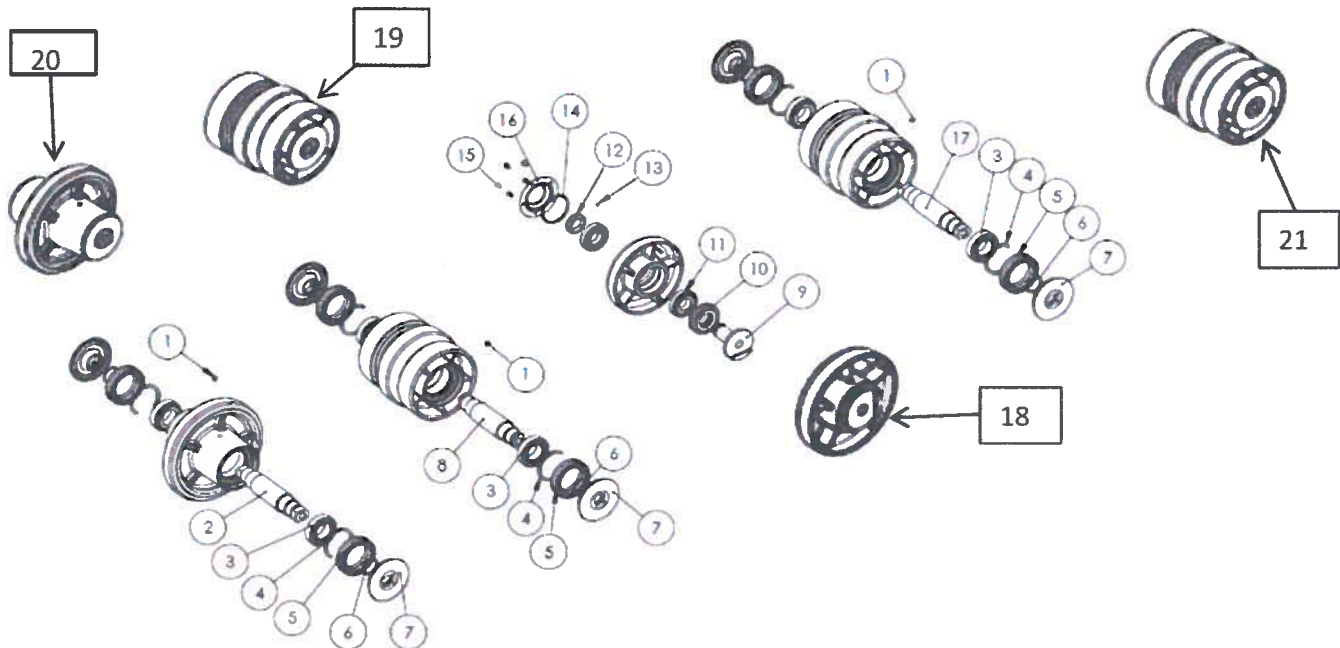


VTS 65+ BOBCAT TUNNEL IDLER AND BOGIE ASSEMBLY

FOR ALL VTS 65+ MODELS

REV.060112

REF:NO.	PART NUMBER	QTY	DESCRIPTION
1	402546	3	SOCKET PIPE PLUG 1/8-27 NPT
2	402320	1	SHAFT, IDLER
3	401109	6	BEARING, TAPERED ROLLER
4	401524	6	SNAP RING
5	402179	6	SEAL, 73MM, DUAL CONE
6	402210	6	O-RING, ID 38.7MM, CROSS SECTION 3.55MM
7	402209	6	RETAINER, SEAL
8	402332	1	SHAFT, BOGIE
9	402522	1	SHAFT, SPLIT BOGIE
10	401122	1	SEAL, IDLER/ROLLER
11	401149	2	BEARING, TAPERED ROLLER
12	400736	1	NUT, LOCK
13	401078	1	SET SCREW FOR THE LOCK NUT TORQUE AT 30 FT-LBS
14	402041	1	O-RING
15	400603	5	SCREW, CAP, BUTTON HD. 1/4"-20 X .50"
16	402042	1	COVER, CAST-SPLIT BOGEY
17	402321	1	SHAFT, BOGEY
18	601816	2	SPLIT BOGEY
19	601462	3	BOGEY
20	601475	2	IDLER FRONT AND REAR
21	601493	1	REAR IDLER FOR CERTAIN MODELS



IMPORTANT NOTE:

IDLER, BOGEY AND SPLIT BOGEY castings are NSS.
 All rollers that are on 65+ VTS units with a serial number of 30000 or higher can be rebuilt and parts are available. VTS units with a serial number of 29999 or less, will have to order new rollers, parts are not available. Reference contents page for additional notes.