



50+ VTS

***Versatile Track System
FOR***

ALL 50+ VTS EXCEPT BOBCAT



Table of Contents

VTS 50+ (ALL MODELS EXCEPT BOBCAT)

- | | |
|----------------------------|--------|
| 1. RH Front Hub Assembly | Page 1 |
| 2. LH Front Hub Assembly | Page 2 |
| 3. Rear Hub Assembly | Page 3 |
| 4. Tension Arm Assembly | Page 4 |
| 5. Tunnel Assembly | Page 5 |
| 6. Tunnel Idler and Bogies | Page 6 |

ADDITIONAL NOTES

VTS 50+

The 50+ VTS systems are the compact assemblies for the small skid steers that have a horse power range of 50 to 60 horse power. These VTS only come with a 12" or 15" wide track. The 50+ undercarriages are made of lighter gauge steel and cannot be used on the heavier higher horse power 65+ and 86+ machines.

REPLACING BEARINGS AND SEALS ON VTS

COMPONENT PARTS ARE AVAILABLE TO REBUILD HUBS, BOGEYS, SPLITS BOGEYS, TENSION ROLLERS AND IDLERS FROM SERIAL NUMBER 30000 TO CURRENT. COMPONENT PARTS ARE NOT AVAILABLE TO REBUILD HUBS, BOGEYS, SPLITS BOGEYS, TENSION ROLLERS AND IDLERS FROM SERIAL NUMBER 20000 TO 29999. WHEN REPLACING ROLLERS WITH THE METAL FACE SEALS CONTACT THE FACTORY FOR SPECIAL HANDLING INSTRUCTIONS.

IMPORTANT

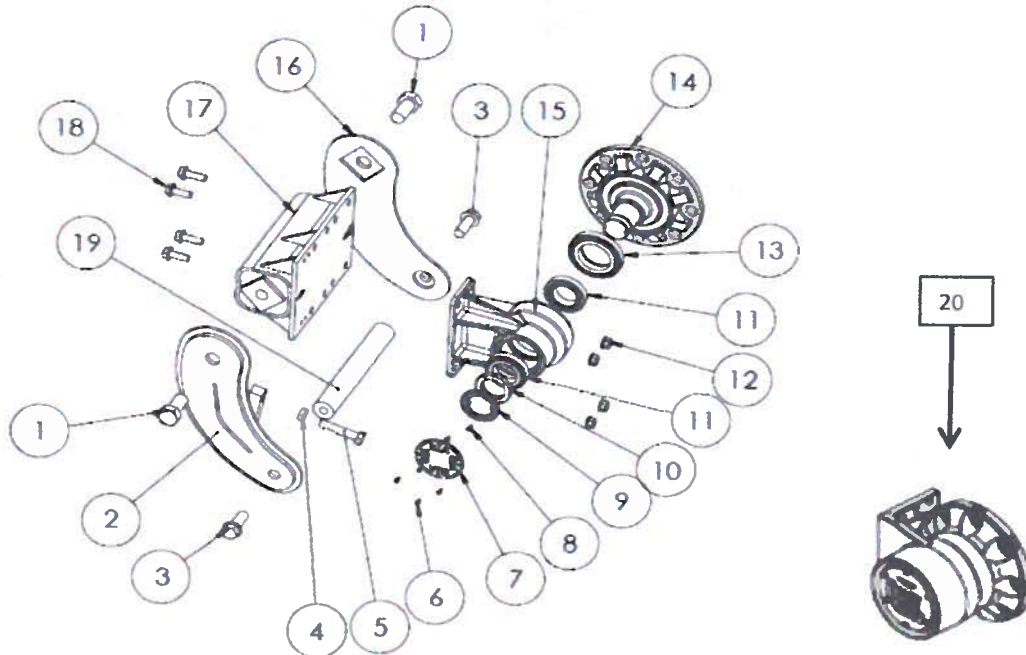
WHEN MOUNTING THE VTS TO THE MACHINE THE LUG NUTS NEED TO BE TORQUED AT 190 FT/LBS DO NOT TORQUE TO THE TIRE TORQUE RATING.

VTS 50 + RH FRONT HUB ASSEMBLY

FOR ALL VTS 50+ MODELS EXCEPT BOBCAT

REV.060112

REF:NO.	PART NUMBER	QTY	DESCRIPTION	
1	400665	2	BOLT, 1'-14UNC X 2.00" GRD. 8 PLATED	TORQUE AT 750 FT/LBS
2	500302	1	RIGHT TORSION ARM W/UPSTOP BLOCK	
3	PD5210-2CP	2	BOLT, 3/4"-10UNC X 2.00" GRD. 8 PLATED	TORQUE AT 376 FT/LBS
4	PH0190-5CP	1	NUT, 5/8"-11NC GRD. 8 JAM NUT	
5	PD0190-3CP	1	BOLT, 5/8"-11NC X 3.00" GRD. 8	
6	401275	4	SCREW, SKT HD CAP 6-32 X .375	
7	402402	1	COVER, DUST	
8	PDF110-0.5CP	2	SCREW, FLAT SKT HD CAP 10-32 X .05	
9	401428	1	WASHER, LOCK	
10	401272	1	NUT, LOCKING	
11	401267	2	BEARING. SINGLE ROW TAPER ROLLER	
12	PH5170-4CP	4	NUT, FLANGE, LOCK 1/2"-13UNC GRD. 8 PLATED	
13	401270	1	SEAL, SPINDLE	
14	401276	1	SPINDLE, WHEEL FRONT	
15	NSS	1	ASSY., HUB W/INJECTED RUBBER	
16	500303	1	LEFT TORSION ARM	
17	500327	1	TORSION TUBE, 11.18" LONG	
18	PD5170-1.5CP	4	BOLT, FLANGE, 1/2-13UNC X 1.50" GRD. 8 PLATED	TORQUE AT 211 FT/LBS
19	401300	1	SHAFT, SUSPENSION, 11.18" LONG	
20	600540	1	ASSY., RIGHT FRONT HUB	



IMPORTANT NOTE:

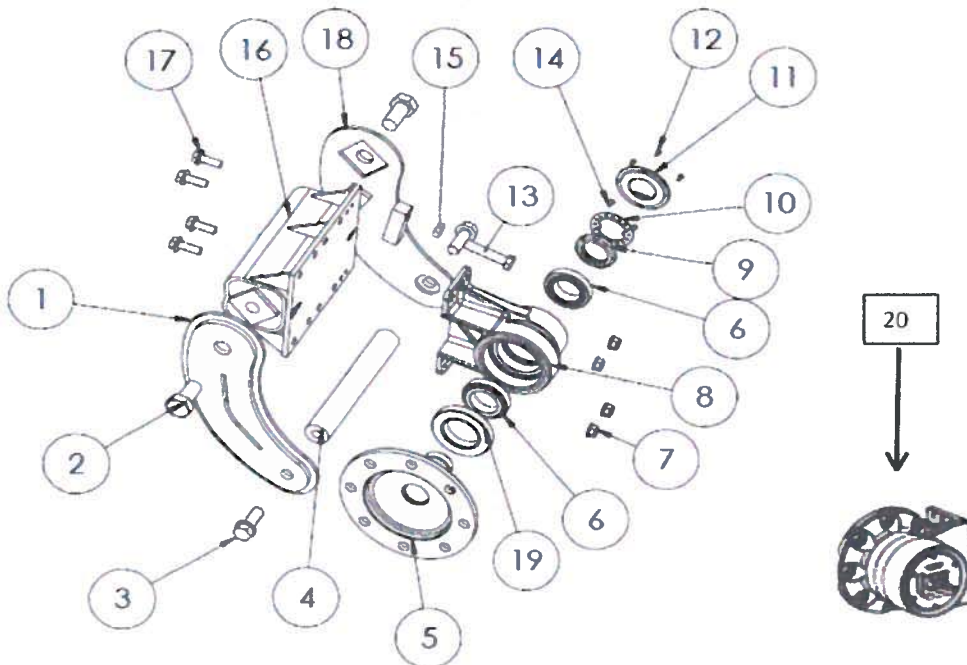
All hubs that are on 50+ VTS units with a serial number of 30000 or higher can be rebuilt and parts are available. VTS units with a serial number of 29999 or less, will have to order new hubs, parts are not available. Reference contents page for additional notes.

VTS 50 + LH FRONT HUB ASSEMBLY

FOR ALL VTS 50+ MODELS EXCEPT BOBCAT

REV.060112

REF:NO.	PART NUMBER	QTY	DESCRIPTION			
1	500300	1	RIGHT TORSION ARM			
2	400665	2	BOLT, 1"-14UNC X 2.00" GRD. 8 PLATED		TORQUE AT 750 FT/LBS	
3	PD5210-2CP	2	BOLT, 3/4"-10UNC X 2.00" GRD. 8 PLATED			
4	401300	1	SHAFT, SUSPENSION, 11.18" LONG			
5	401276	1	SPINDLE, WHEEL FRONT			
6	401267	2	BEARING, SINGLE ROW TAPER			
7	PH5170-4CP	4	NUT, FLANGE, LOCK 1/2"-13UNC GRD. 8 PLATED			
8	NSS	1	ASSY., HUB BRACKET W/INJECTED RUBBER			
9	401272	1	NUT, LOCKING			
10	401428	1	WASHER, LOCK			
11	402402	1	COVER, DUST			
12	401275	4	SCREW, SKT HD CAP 6-32 X .375			
13	PD0190-3CP	1	BOLT, 5/8"-11NC X 3.00" GRD. 8		TORQUE AT 376 FT/LBS	
14	PDF110-0.5CP	2	SCREW, FLT HD SKT CAP 10-32 X .50			
15	PH0190-5CP	1	NUT, 5/8"-11NC GRD. 8 JAM NUT			
16	500327	1	TORSION TUBE			
17	PD5170-1.5CP	4	BOLT, FLANGE, 1/2"-13UNC X 1.50" GRD. 8 PLATED		TORQUE AT 211 FT/LBS	
18	500301	1	LEFT TORSION ARM W/UPSTOP BLOCK			
19	401270	1	SEAL, SPINDLE			
20	600782	1	ASSY., FRONT LEFT HUB			



IMPORTANT NOTE:

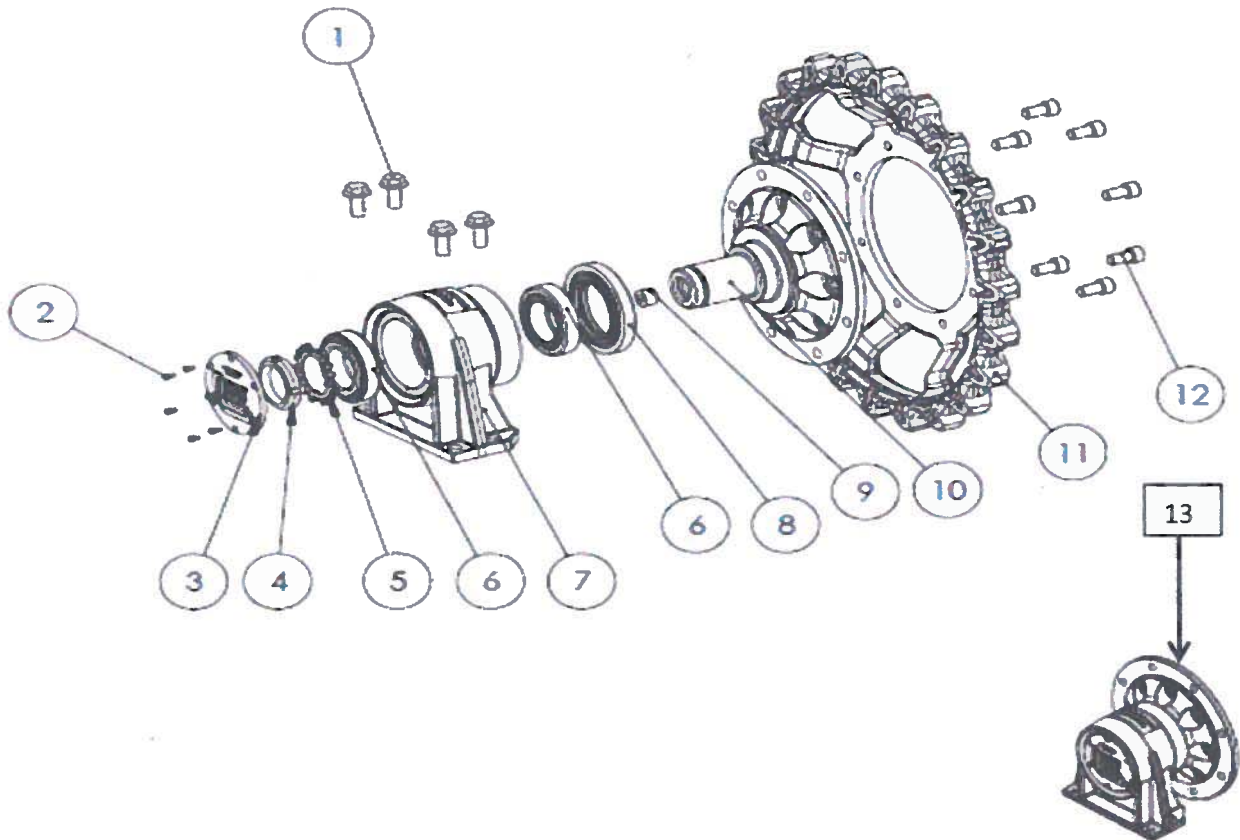
All hubs that are on 50+ VTS units with a serial number 30000 or higher can be rebuilt and parts are available. VTS units with a serial number of 29999 or less, will have to order new hubs, parts are not available. Reference contents page for additional notes.

VTS 50+ REAR HUB ASSEMBLY

FOR ALL VTS 50+ MODELS EXCEPT BOBCAT

Rev.060112

REF:NO.	PART NUMBER	QTY	DESCRIPTION		
1	PD5170-1.5CP	4	BOLT, FLANGE, 1/2"-13UNC X 1.50" GRD. 8 PLATED	TORQUE AT 211 FT/LBS	
2	400518	6	SCREW, CAP 10-24 X .375"		
3	402400	1	COVER, CAST HUB		
4	400350	1	NUT, LOCK		
5	401447	1	WASHER, LOCK		
6	401398	2	BEARING, TAPERED ROLLER		
7	NSS	1	ASSY. REAR HUB BRACKET W/INJECTED RUBBER		
8	401132	1	SEAL, SPINDLE		
9	400656	1	SOCKET PIPE PLUG 3/4 X 3/4		
10	401125	1	SPINDLE, WHEEL-REAR		
11	400914	1	SPROCKET		
12	401075	8	SCREW, CAP 5/8"-11UNC X 1.25" GRD. 8 PLATED	TORQUE AT 211 FT/LBS	
13	601058	1	ASSY., REAR HUB		



IMPORTANT NOTE:

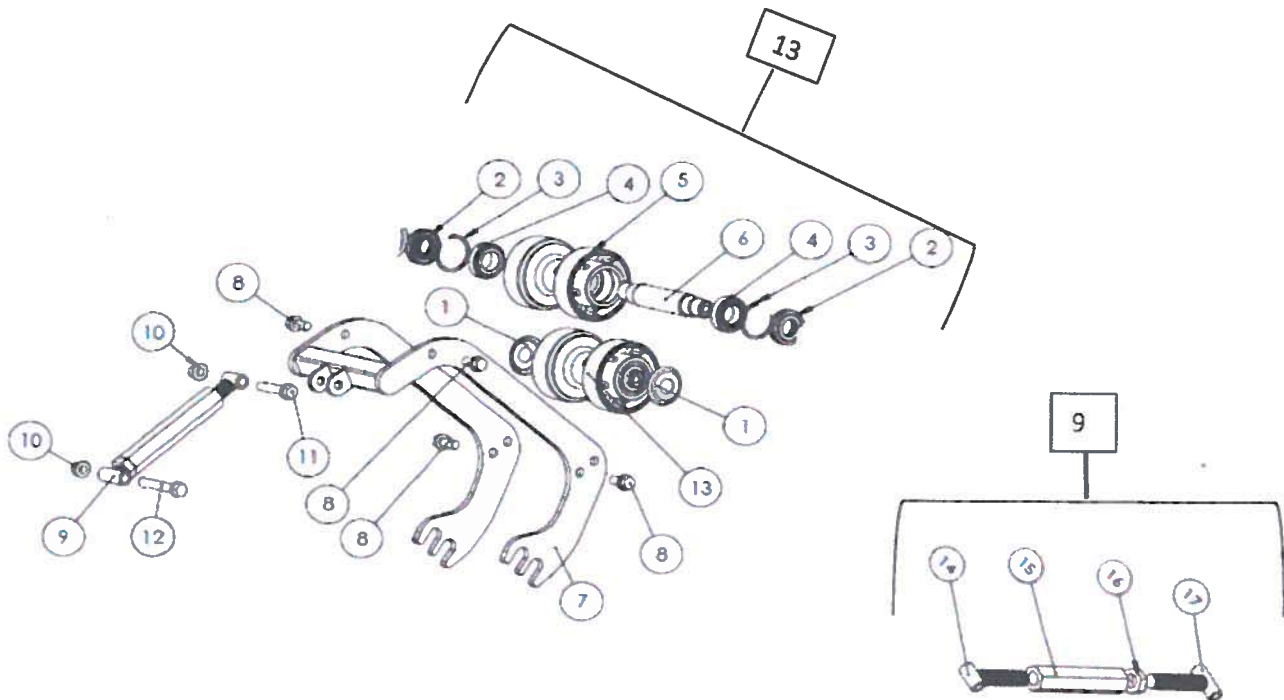
All hubs that are on 50+ VTS units with a serial number of 30000 or higher can be rebuilt and parts are available. VTS units with a serial number of 29999 or less, will have to order new hubs, parts are not available. Reference contents page for additional notes.

VTS 50+ TENSION ARM ASSEMBLY

FOR ALL VTS 50+ MODELS

REV.060112

REF:NO.	PART NUMBER	QTY	DESCRIPTION			
1	401391	4	DUST COVER			
2	401122	2	SEAL, IDLER/ROLLER			
3	401524	2	SNAP RING			
4	401109	2	BEARING, TAPERED ROLLER			
5	NSS	1	ROLLER, TENSION			
6	401390	1	SHAFT, TENSION			
7	500515	1	TENSION ARM			
8	PD5210-1.5CP	4	BOLT, FLANGE, 3/4"-10UNC X 1.50" GRD. 8 PLATED	TORQUE TO 376 FT/LBS		
9	600546	1	TURNBUCKLE ASSY.			
10	PH5210-4CP	2	NUT, FLANGE, LOCK 3/4"-10UNC GRD. 8 PLATED			
11	PD5210-3.5CP	1	BOLT, FLANGE, 3/4"-10UNC X 3.50" GRD. 8 PLATED	TORQUE TO 376 FT/LBS		
12	PD5210-4.5CP	1	BOLT 3/4"-10UNC X 4.50" GRD. 8 PLATED	TORQUE TO 376 FT/LBS		
13	600741	2	ASSY., TENSION ROLLER			
14	500286	1	TENSION ROD			
15	401309	1	SHAFT			
16	401310	1	NUT 1 1/4-7UNC			
17	600545	1	TENSION ROD			



IMPORTANT NOTE:

All rollers that are on 50+ VTS units with a serial number of 30000 or higher can be rebuilt and parts are available. VTS units with a serial number of 29999 or less, will have to order new rollers, parts are not available. Reference contents page for additional notes.

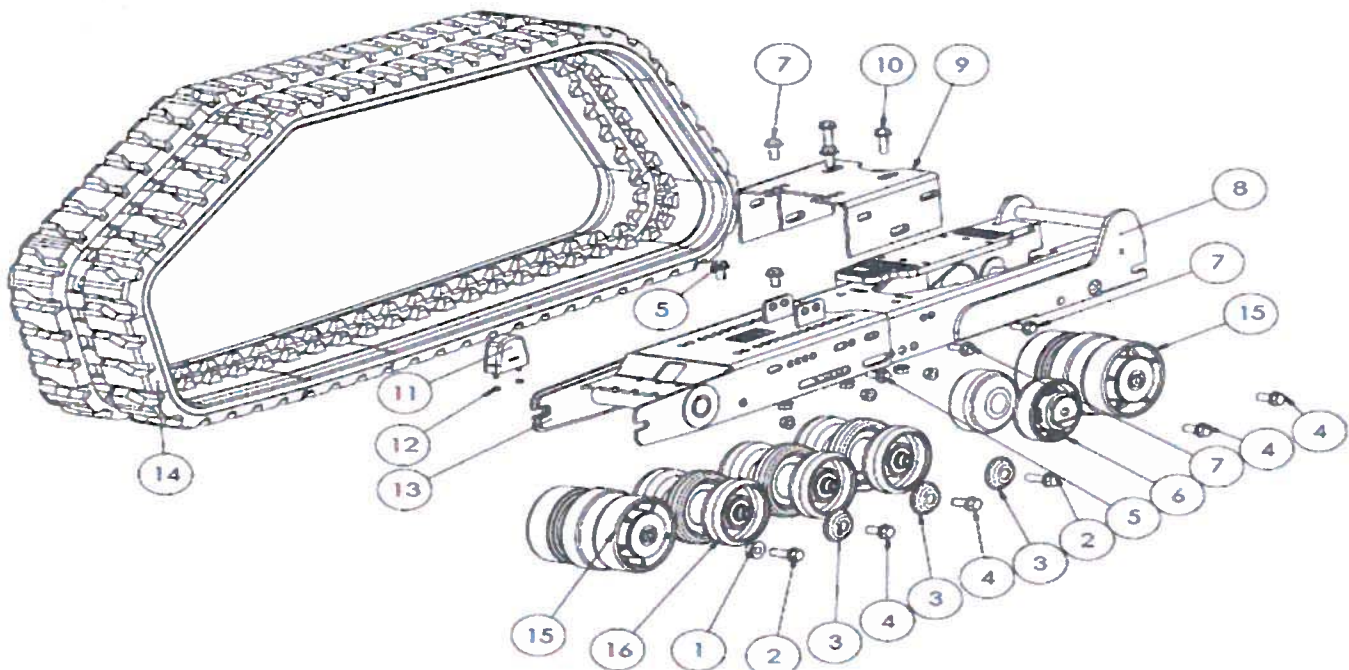
VTS 50+ TUNNEL ASSEMBLY

FOR ALL VTS 50+ MODELS (RH SHOWN)

REV.060112

REF:NO.	PART NUMBER	QTY	DESCRIPTION			
1	402169	2	TENSION ARM BUSHING			
2	PD5210-2CP	2	BOLT, FLANGE 3/4"-10UNC X 2.00", GRADE PLATED	TORQUE BOLTS AT 376 FT/LBS		
3	401330	6	DUST COVER			
4	PD5210-1.5CP	8	BOLT, FLANGE 3/4"-10UNC X 1.50", GRADE PLATED	TORQUE BOLTS AT 376 FT/LBS		
5	PD5190-1.5CP	2	BOLT, FLANGE, 5/8"-11UNC X 1.50" GRD. 8 PLATED	TORQUE BOLTS AT 376 FT/LBS		
6	601817	2	BOGEY, SPLIT			
7	PD5190-1.5CP	4	BOLT, FLANGE, 5/8"-11UNC X 1.50" GRD. 8 PLATED	TORQUE BOLTS AT 211 FT/LBS		
8	500329	1	RIGHT REAR TUNNEL (SHOWN)			
	500325	1	LEFT REAR TUNNEL			
9	601700	1	TUNNEL SUPPORT BRACKET			
10	PD5190-2.00CP	2	BOLT, FLANGE, 3/4"-10UNC X 2.00" GRD. 8 PLATED	TORQUE BOLTS AT 211 FT/LBS		
11	600680	1	DOWN STOP, URETHANE 1.5" THICK			
12	PHT140-4CP	2	NUT, JAM, LOCKING 5/16"-18UNF			
13	500326	1	FRONT TUNNEL			
14	401363	1	TRACK, RUBBER, 50 LINK 12" WIDE			
	401767	1	TRACK, RUBBER, 51 LINK 12" WIDE			
	401362	1	TRACK, RUBBER, 52 LINK 12" WIDE			
	401361	1	TRACK, RUBBER, 54 LINK 12" WIDE			
	401360	1	TRACK, RUBBER, 56 LINK 12" WIDE			
	401364	1	TRACK, RUBBER, 50 LINK 15" WIDE			
	401347	1	TRACK, RUBBER, 52 LINK 15" WIDE			
	401346	1	TRACK, RUBBER, 54 LINK 15" WIDE			
	401345	1	TRACK, RUBBER, 56 LINK 15" WIDE			
15	601493	2	IDLER ASSY.			
16	600549	3	BOGIE ASSY.			

NOTE: The 601700 support brackets are only needed on VTS 50+ assemblies if the tunnel is in position 17, 18 and 19.

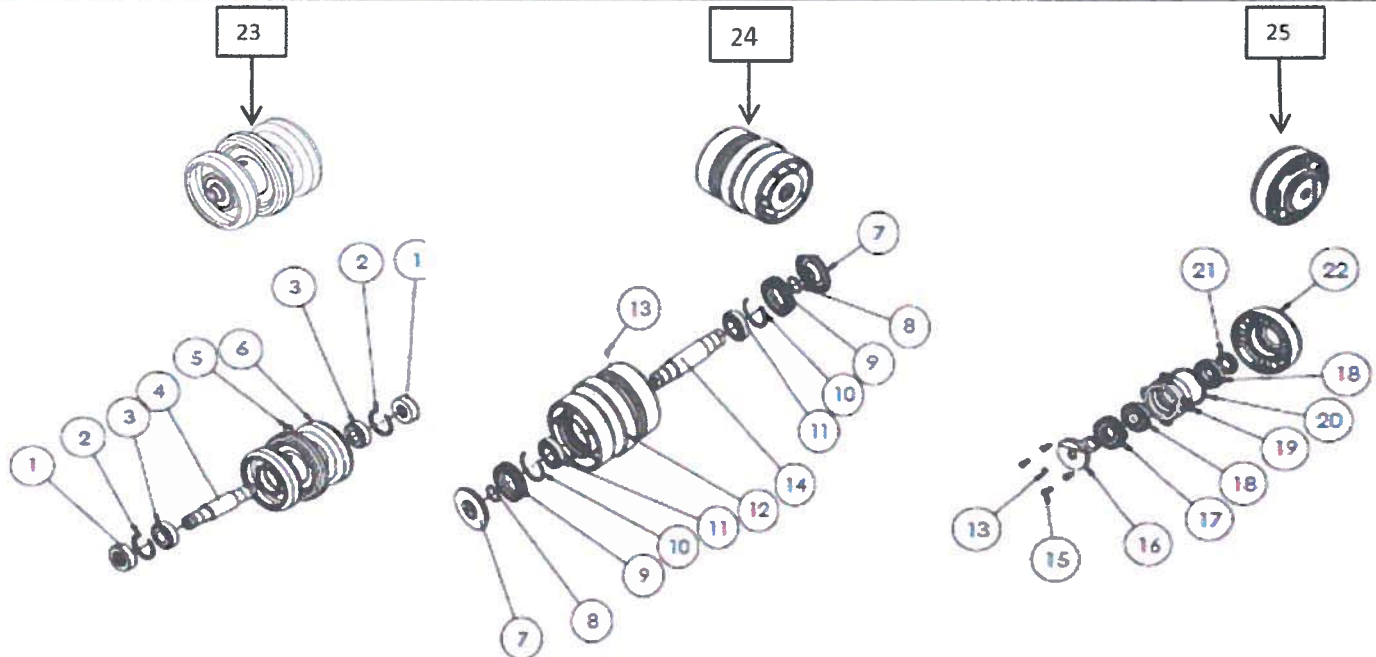


VTS 50+ TUNNEL IDLER AND BOGIE ASSEMBLY

FOR ALL VTS 50+ MODELS

REV.060112

REF:NO.	PART NUMBER	QTY	DESCRIPTION
1	401325	2	SEAL, AP1TCY, 34 X 72 X 23.5
2	401322	2	SNAP RING
3	401323	2	BEARING, ROLLER
4	401329	1	SHAFT, BOGEY
5	401319	1	SOCKET SET SCREW
6	NSS	1	WELDMENT, BOGIE
7	402209	2	RETAINER, SEAL
8	402210	2	O-RING , 38.7MM ID, 3.55MM CROSS SECT.
9	402179	2	SEAL, 73MM, DUAL CONE
10	401524	2	SNAP RING
11	401109	2	BEARING, TAPERED ROLLER
12	NSS	1	BOGIE
13	402546	2	SOCKET SET SCREW, 5/8-11 WITH 5/16 HEX
14	402321	1	SHAFT, BOGIE
15	PDF140-1CP	4	SCREW, FLT HD SKT CAP 5/16-18 X 1"
16	402945	1	SHAFT, SPLIT BOGIE
17	401122	1	SEAL, IDLER/ROLLER
18	401149	2	BEARING, TAPERED ROLLER
19	401914	1	TUBE, MAIN SPLIT BOGEY
20	401916	1	O-RING
21	400736	1	NUT, LOCK
22	NSS	1	BOGIE, SMALL SPLIT
23	600549	3	BOGEY Assembly
24	601493	2	IDLER Assembly
25	601817	2	SPLIT BOGIE Assembly



IMPORTANT NOTE: Idler, bogey and split bogies that are on a 50+ VTS units with a serial number of 30000 or higher can be rebuilt and parts are available. VTS units with a serial number of 29999 or less, will have to order new rollers: